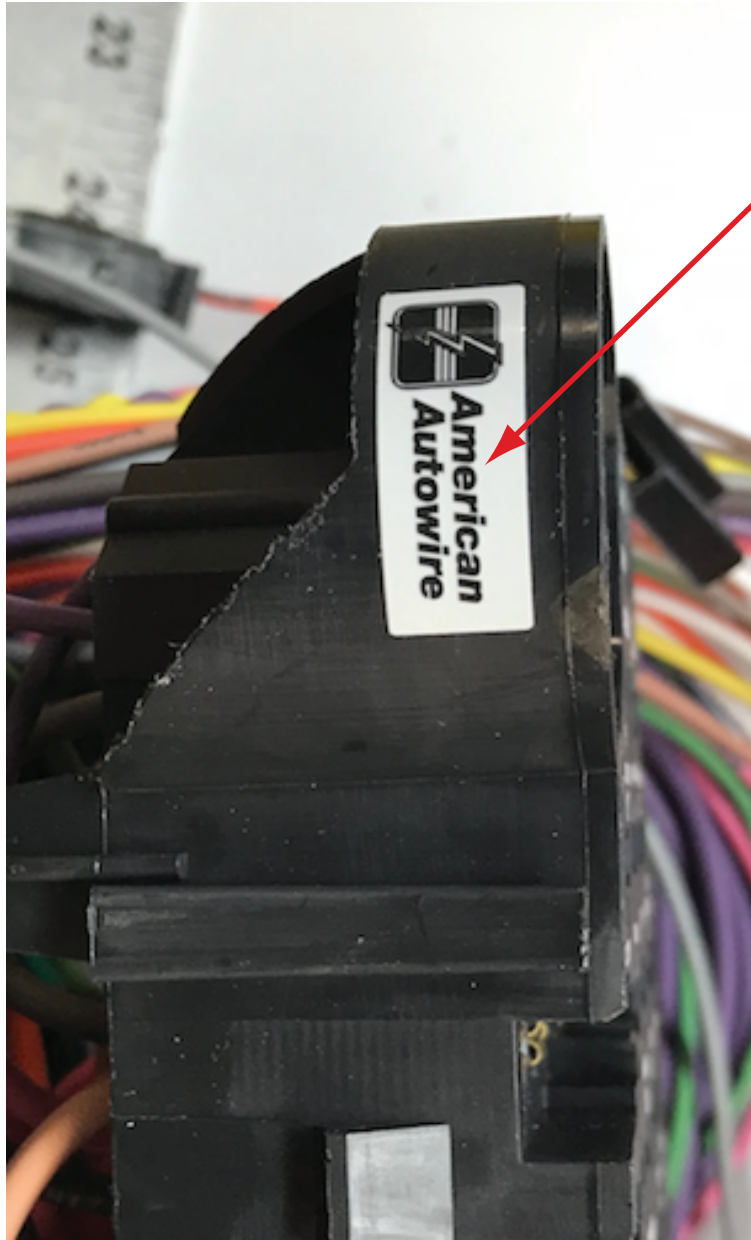


**NOTE:** If the fuse panel on your 510706 1983-87 Chevy Truck kit **HAS** a sticker like the photo at the left, you have the second design harness and your instructions are listed below and follow this page.



Number	Description
500332	Headlight Switch
510716	Fuse, Relay, and Flasher kit
510354	Courtesy Light Connection kit
500919	Practice Terminal Crimping Set
510756	Dash Harness kit
510755	Engine Wiring Kit
510710	Front Light Wiring kit
510757	Instrument Cluster Wiring kit
510711	Rear Body Wiring kit
510476	Alternator and main power Connection kit
510730	VSS Connection kit
92972671	Main Instruction Sheet



[www.americanautowire.com](http://www.americanautowire.com) 856-933-0801

## 1983-87 Chevy Truck Second Design Instructions

92973227 rev. 0.0 7/17/2020



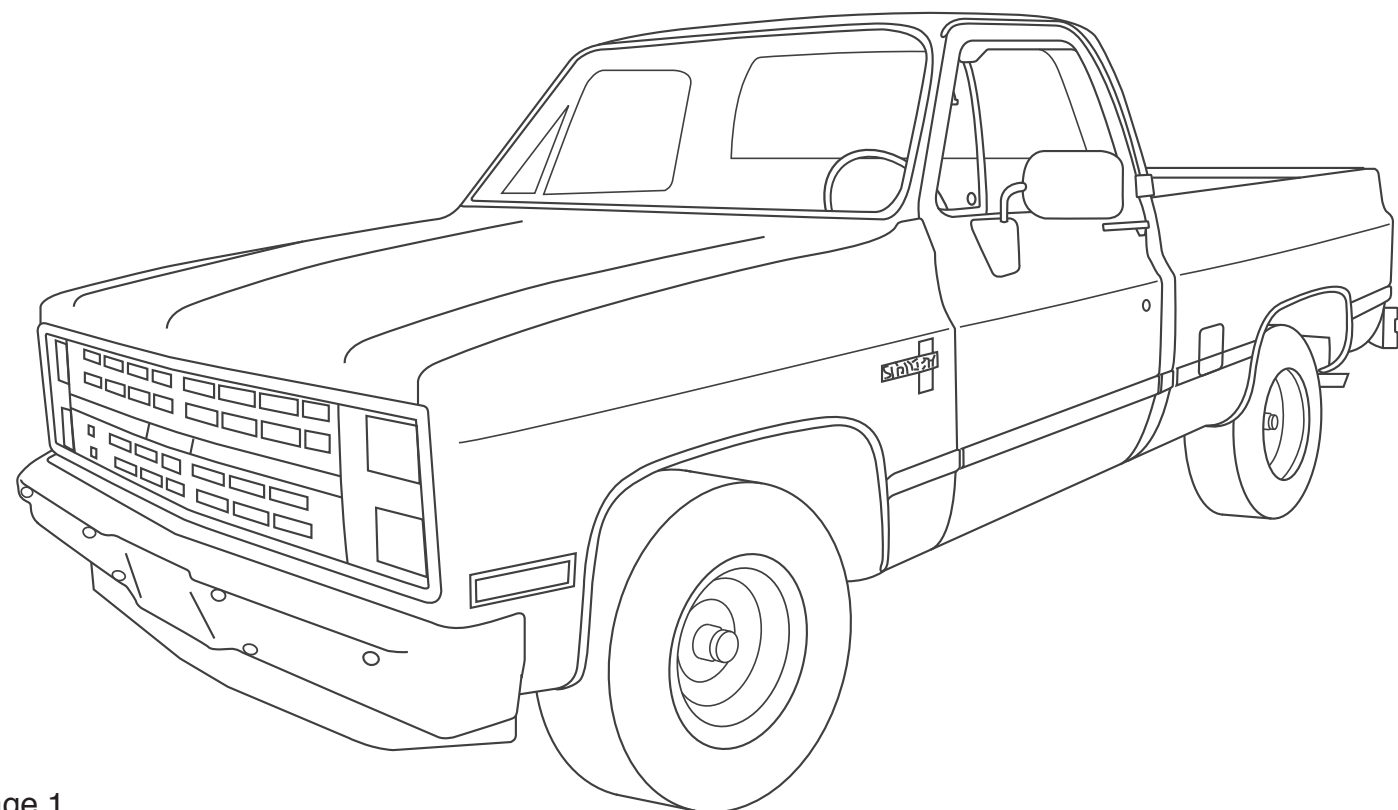
**WARNING:**

Validate the kit contents with the component list included on page 2 of this sheet before proceeding. This kit is intended to be used in a modified vehicle. Please read this sheet thoroughly and be sure that you understand everything explained on it prior to opening any of the enclosed packages, or before attempting to install any of the components. Once this kit has been opened or a component has been installed, the kit is not returnable.

This American Autowire wiring system is intended for highly **modified** applications only.

This kit **DOES NOT**:

- Include the wiring for a factory original A/C system.
- Support factory-original engine management equipment (ECU's, Computers, etc.) or diesel engines.
- Include support for factory emissions equipment or electronics. These harnesses are not included or addressed by this kit.
- Include an ignition switch as it is wired for a factory column mounted switch.
- Include a floor dimmer switch. The floor dimmer was used in model year 1983 only.
- Include adapters for later model ('86+) alternators. An SI-series alternator connector is included, and adapters for other alternators can be purchased separately.



510706 - Classic Update Series Kit  
1983-87 Chevrolet Truck

This kit contains the following components:

Bag	Part Number	Description	Quantity
	500332	Headlight Switch	1
	500919	Practice Terminal Crimping Set	1
	510716	Fuse, Relay, and Flasher kit	1
	510354	Courtesy Light Connection kit	1
G	510707	Dash Harness kit	1
H	510708	Instrument Cluster wiring kit	1
J	510709	Engine Wiring kit	1
L	510710	Front Light Wiring kit	1
M	510711	Rear Body Wiring kit	1
Z	510476	Alt. and Main Power Connection Kit	1

Validate the kit contents with this component list. If there are any discrepancies with incorrect or missing parts, stop your installation and notify the supplier you purchased the kit from before proceeding.



**American  
Autowire**

www.americanautowire.com 856-933-0801

**1983-87 Chevrolet Truck**  
*Classic Update Series*

**510706**

© COPYRIGHT 2004 American Autowire / Factory-Fit  
Used with express permission of  
American Autowire / Factory-Fit

92971982 Rev 4.0 5/27/2020

# START HERE!

## PLEASE READ THIS BEFORE STARTING INSTALLATION!

This wiring kit is designed for ease of installation. Please read the guidelines below **BEFORE STARTING** your installation. Use a crimping tool that folds the wings of the open barrel terminals down into the wire as shown on this page. If you use our crimping tools and correctly crimp the included terminals, soldering is not necessary. If you are unsure about a particular crimp, soldering is recommended. Our factory crimped terminations are installed by GM approved five ton presses and soldering these terminations is not necessary.



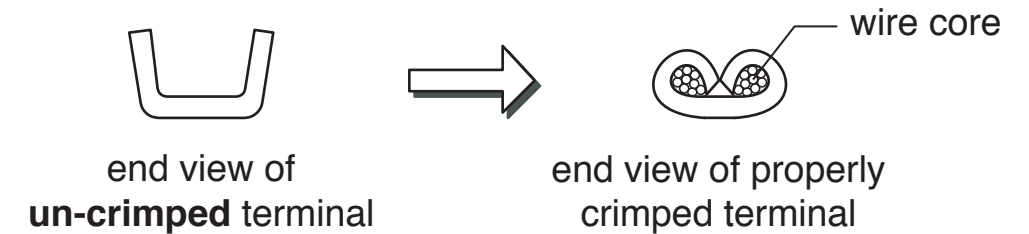
AAW offers a great terminal crimping video entitled "Proper Crimping Video". It can be viewed by visiting YouTube.

Type the following address into your web browser, to go directly to the video:  
[www.youtube.com/watch?v=JAgEDoVI-co](http://www.youtube.com/watch?v=JAgEDoVI-co)

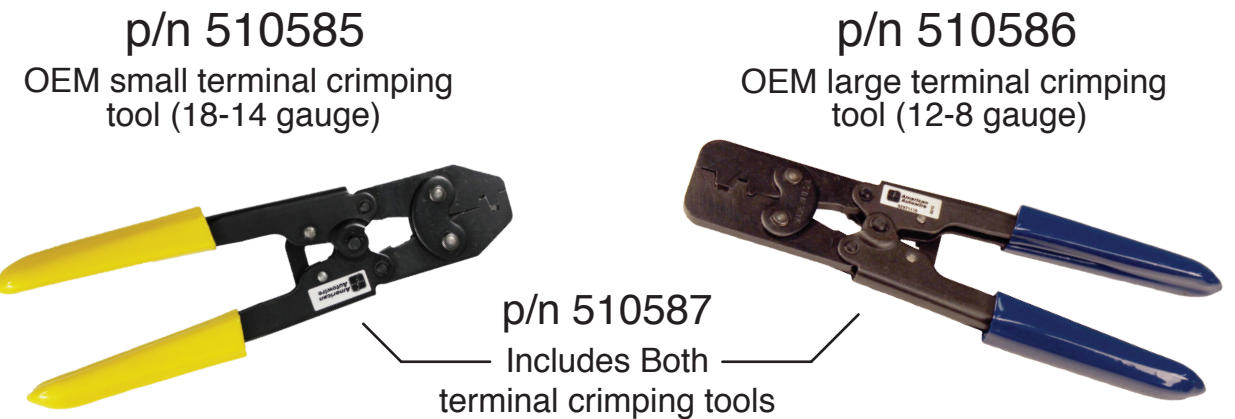
Youtube Channel:  
[www.youtube.com/user/WiringHarness](http://www.youtube.com/user/WiringHarness)



The terminals that we supply in our kits utilize what is known as an F crimp. When done correctly the F crimp cross section will look like the illustration below.



We carry the following crimping hand tools, to help with your terminal crimping. These hand tools are available, for purchase or rental.



We carry many accessories for your 1983-87 Chevrolet Truck.



Professional Grade Terminal and Connector Kit  
p/n 510643



Professional Grade Weather-pack Terminal and Connector Kit  
p/n 510451

### STEP 1: DISCONNECT YOUR BATTERY:

Disconnect the battery before installing the wiring kit to prevent any accidental shorting caused by bare wire ends.

If you have any questions concerning this or any of our products, please feel free to call us at 1-856-933-0801.



## STEP 2: START INSTALLING KIT:

This kit is broken into individual sections identified by a letter printed on the enclosed sheets visible through each bag. The order of installation and the pages with their instructions are shown below:

## Table of Contents:

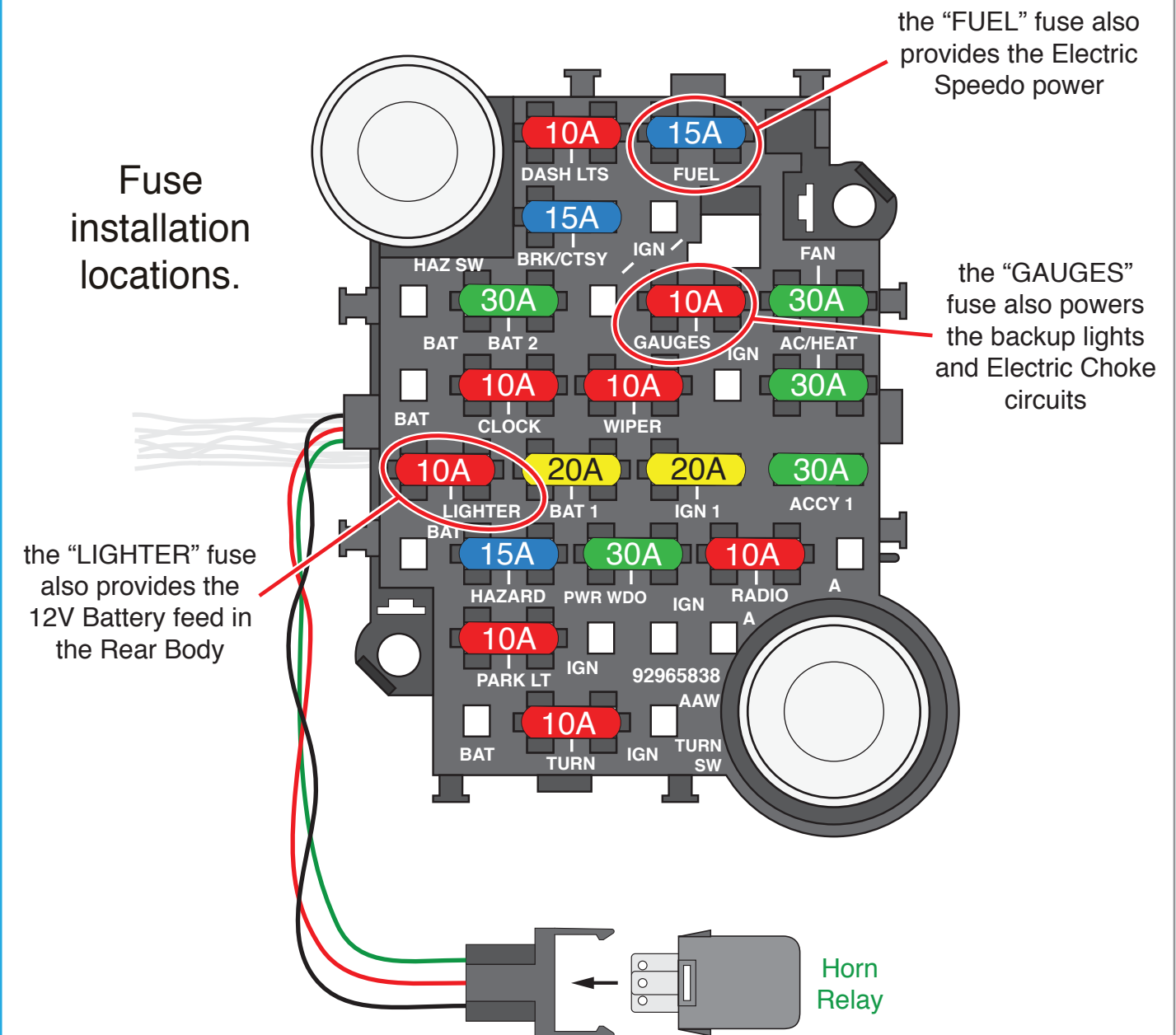
Bags: Pages: Sections:

G	4 - 7	<b>Dash Harness - This is the main harness in the kit and contains:</b> <ul style="list-style-type: none"><li>- Wiper switch connections.</li><li>- Neutral safety switch connections.</li><li>- Turn Signal switch connections.</li><li>- Courtesy light connections.</li><li>- Dimmer switch connection.</li><li>- Accessory connections.</li></ul>
H	8 - 10	<b>Gauge Cluster Harness - This Harness contains:</b> <ul style="list-style-type: none"><li>- Gauge connections for aftermarket and factory gauges.</li></ul>
M	11 - 13	<b>Rear Body Harness - This Harness contains:</b> <ul style="list-style-type: none"><li>- Tail light, turn signal, reverse light, and running light connections.</li><li>- Third brake light and license plate lights connections.</li><li>- Fuel Gauge Sender connection.</li></ul>
L	14 - 16	<b>Front Light Harness - This Harness contains:</b> <ul style="list-style-type: none"><li>- Headlight, turn signal, running light connections.</li><li>- Electric fan relay trigger.</li><li>- Brake fluid level wiring.</li><li>- Horn connections.</li><li>- Chassis ground.</li></ul>
J	17 - 19	<b>Engine Harness - This Harness contains:</b> <ul style="list-style-type: none"><li>- Temperature, oil pressure, tachometer wiring.</li><li>- Ignition system.</li><li>- Alternator connections.</li><li>- Windshield washer connection.</li><li>- Electric Choke connection.</li><li>- Vehicle Speed Sensor (VSS) connections.</li></ul>



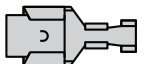
## PLEASE READ THIS HELPFUL INSTALLATION TIP, BEFORE GOING ANY FURTHER!

Prior to installing the Dash/Main harness in your dashboard, plug all of the fuses, Hazard Flasher and Turn Flasher into the Fuse Block (see detailed picture below) and the Horn Relay into this harness (see detailed picture below).





# Dash/Main harness installation instructions:

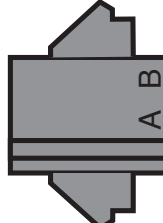
Shown below are the supplied misc. terminals, plastic connector bodies, hardware, jumpers and extensions that will be used to complete your Dash/Main harness connections. They are itemized and referred to on this page, just as they are on the following pages of this Dash/Main instruction set.

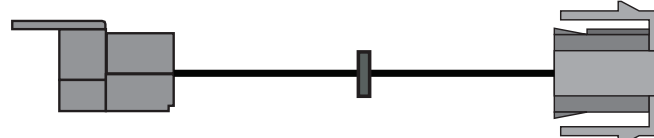
**A**  (56 series single female terminal, 10 pcs.)

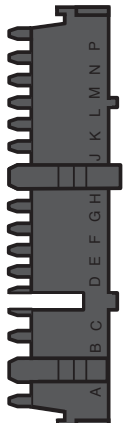
**K**  (screw, 3", fuse box, 2 pcs.)

**U**  (1983 dimmer extension; floor mounted - reference, 1 pc.)

**B**  (male flat Pack-con terminal, 10 pcs.)


**L**  (Pack-con double female conn, 1 pc.)

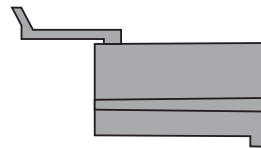
**V**  (1984-87 dimmer extension; column mounted - reference, 1 pc.)

**C**  (Pack-con 14-way male conn, 1 pc.)

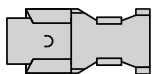
**N**  (56 series double female conn, 1 pc.)

**W**  (neutral safety switch auto trans extension - reference, 1 pc.)

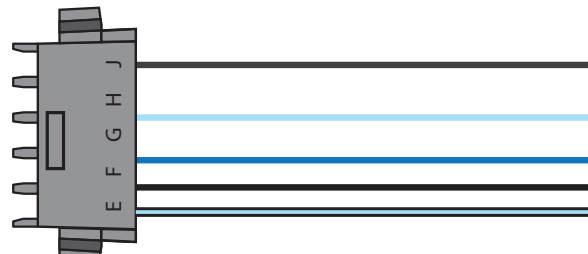
**D**  (female terminal, 7 pcs.)

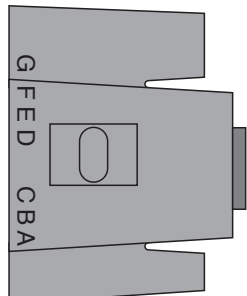
**P**  (56 series double female conn, 1 pc.)  
**This connector is not been supplied. You must re-use your original.**

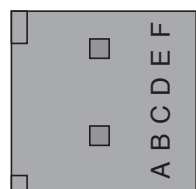
**Y**  (neutral safety switch jumper - reference, 1 pc.)

**E**  (56 series double female terminal, 2 pcs.)

**R**  (Pack-con female terminal, 8 pcs.)

**AA**  (wiper switch extension - reference, 1 pc.)

**G**  (Pack-con 7-way female conn, 1 pc.)

**T**  (Printed circuit 6-way female conn, 1 pc.)

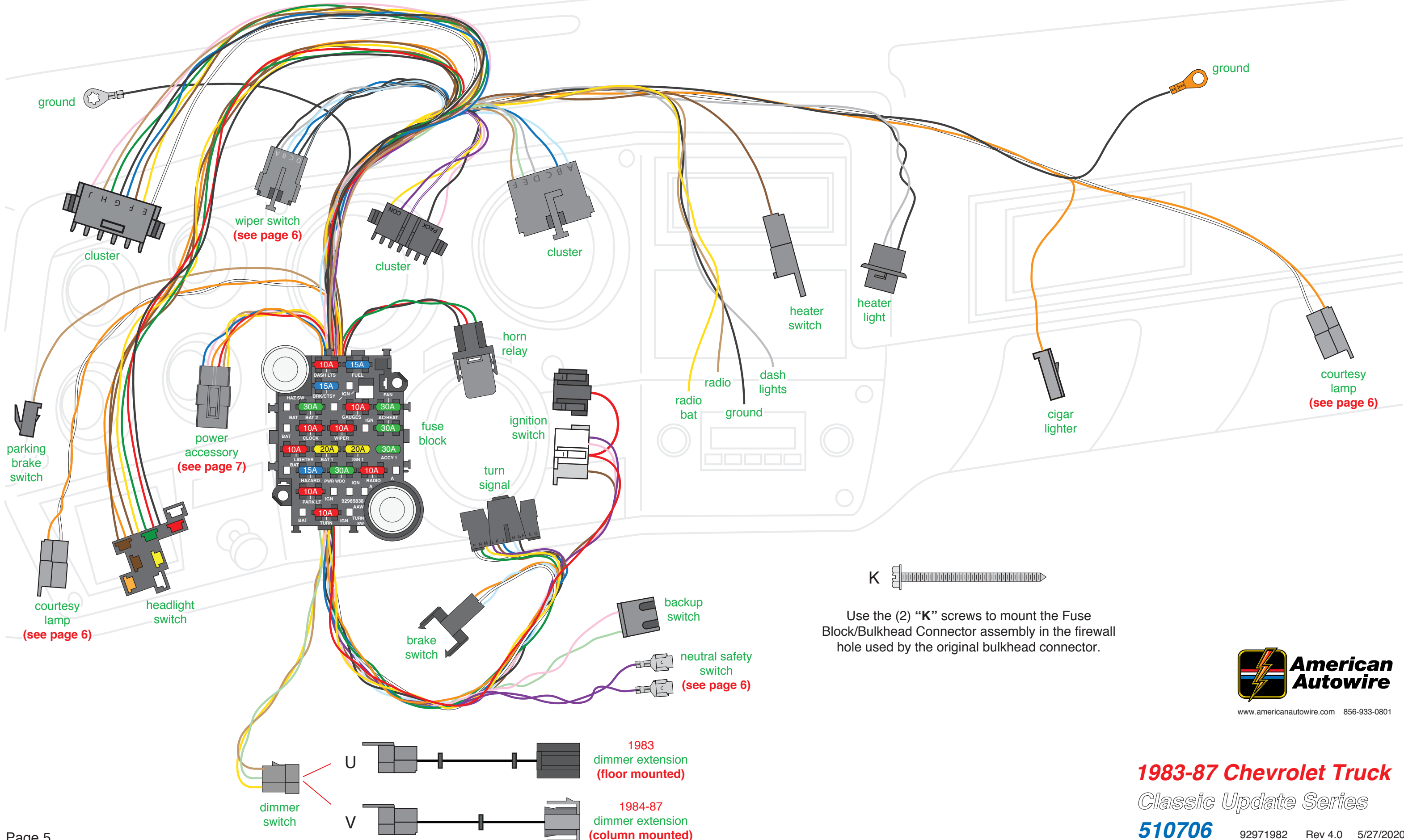
**BB**  (Pack-con female terminal, 3 pcs.)


**CC**  (gray dash lights wire, 1 pc.)



**1983-87 Chevrolet Truck**  
Classic Update Series  
**510706** 92971982 Rev 4.0 5/27/2020

# Dash/Main harness installation instructions:



K 

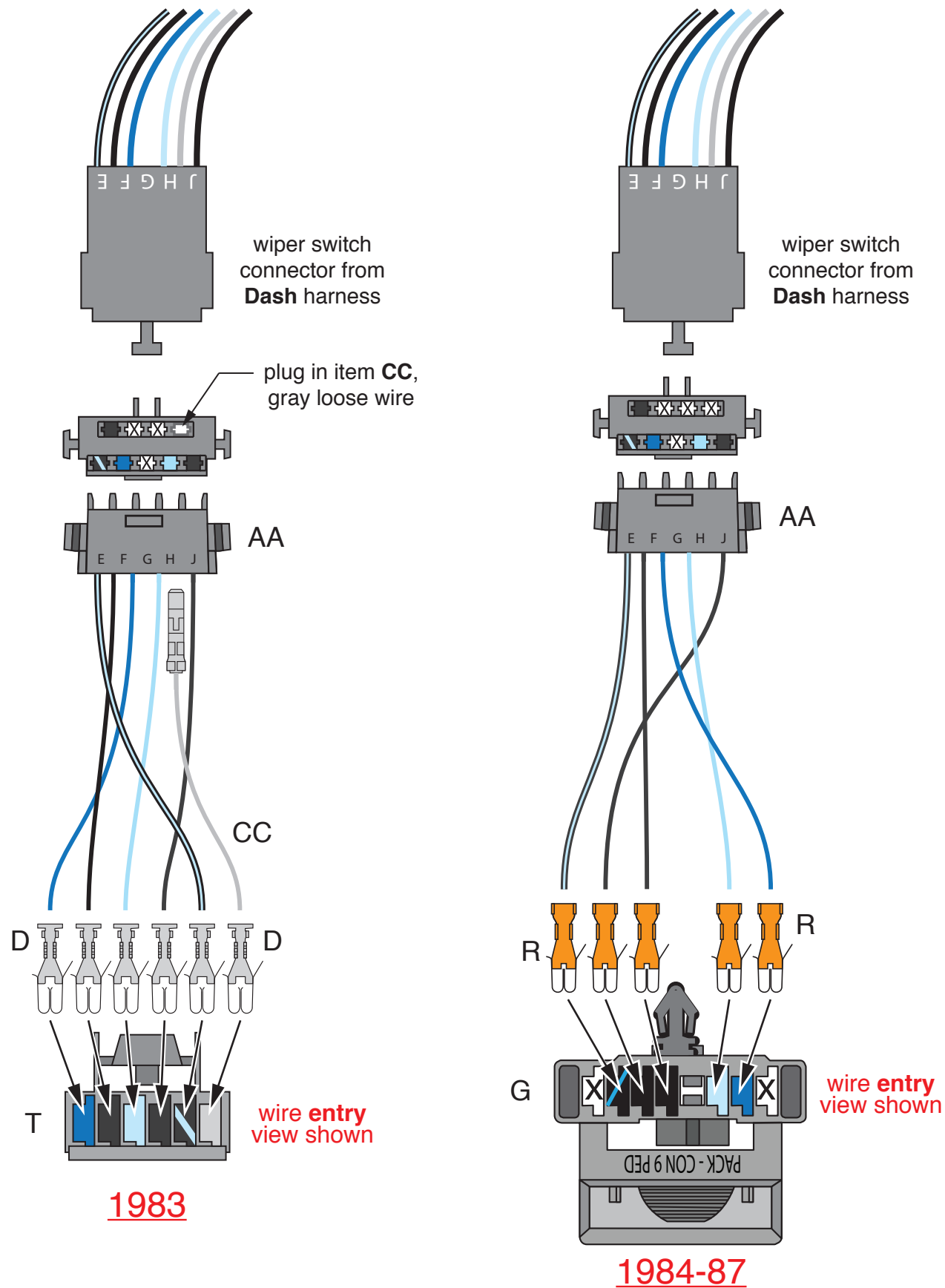
Use the (2) "K" screws to mount the Fuse Block/Bulkhead Connector assembly in the firewall hole used by the original bulkhead connector.



**1983-87 Chevrolet Truck**  
 Classic Update Series  
**510706** 92971982 Rev 4.0 5/27/2020

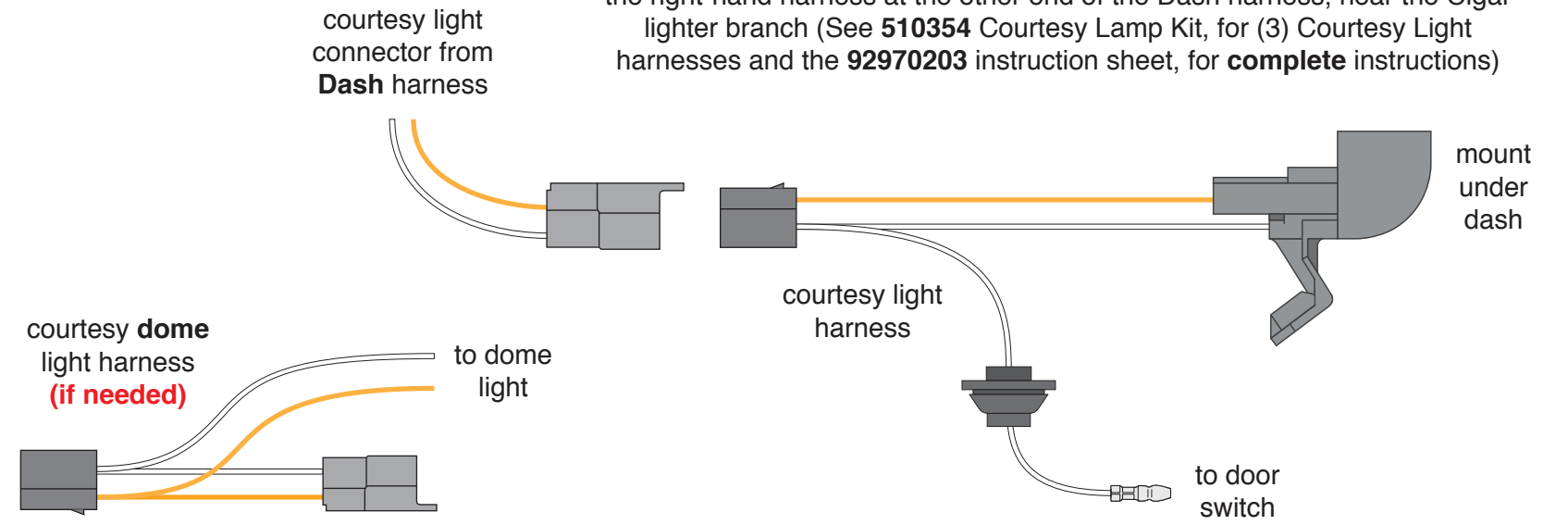
# Dash/Main harness installation instructions:

## Wiper switch wiring:

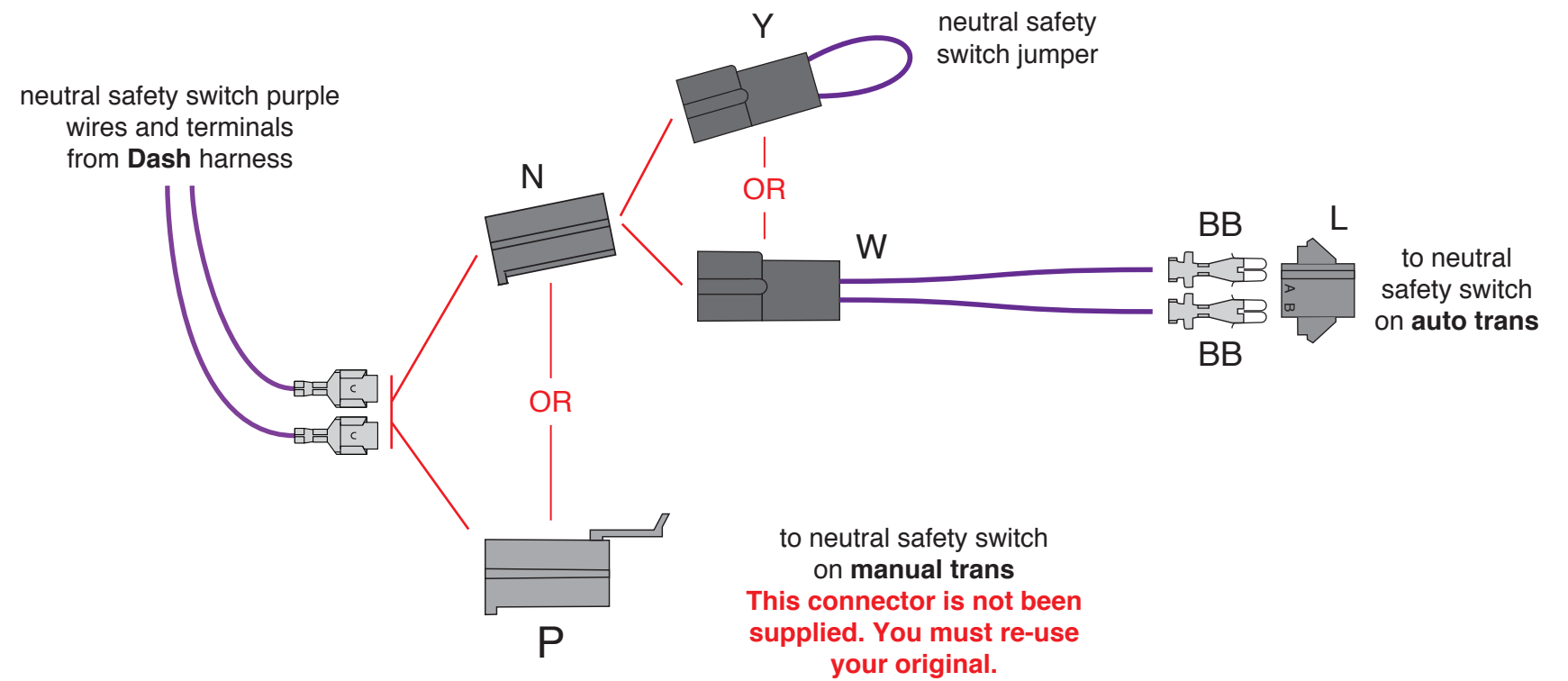


## Courtesy light wiring (all years):

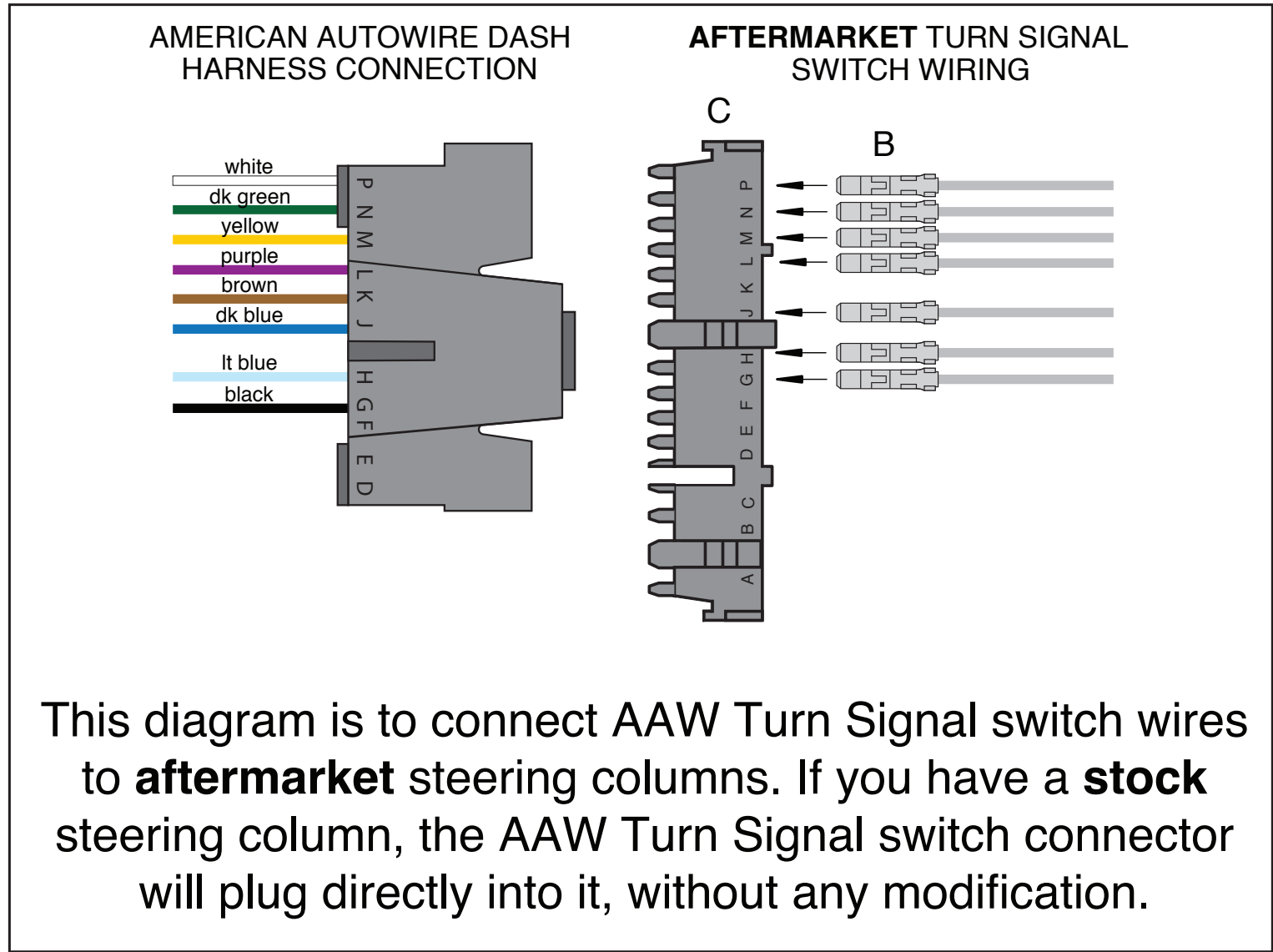
Connect the (2) courtesy light harnesses (3 harnesses, if you have dome lights) to the courtesy light connectors from the Dash harness: the left-hand harness at the same branch as the Parking Brake switch and Horn relay connector and the right-hand harness at the other end of the Dash harness, near the Cigar lighter branch (See 510354 Courtesy Lamp Kit, for (3) Courtesy Light harnesses and the 92970203 instruction sheet, for **complete** instructions)



## Neutral Safety switch wiring (all years):



# Dash/Main harness installation instructions:



## “Table B”

AAW Turn Signal switch wires to **aftermarket**  
1983-87 Chevrolet Truck Turn Signal switch

AAW Wire Color	AAW Wire Printing	Connector Cavity AAW
White	Brake SW	P
Dark Green	Right Rear Turn	N
Yellow	Left Rear Turn	M
Purple	Turn Switch Feed	L
Brown	Turn SW – Hazard	K
Dark Blue	Right Front Turn	J
Light Blue	Left Front Turn	H
Black	Horn Relay Ground	G
None	None	F
None	None	E
None	None	D

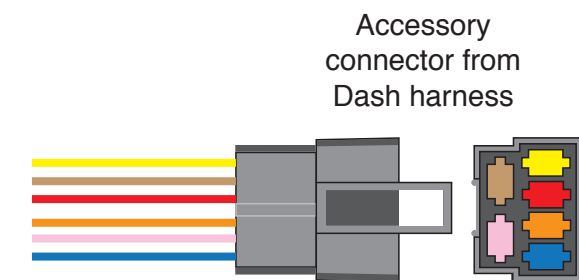
Remove the **aftermarket** Turn Signal switch Connector and replace it with the AAW 14-way connector “**C**”. Crimp on terminal “**B**” to each of the original Turn Signal switch wires and plug them into connector “**C**” (see Parts Kit **92971987**).

Use “**Table B**” above to align the wires. Also, for all of the vehicles, the Steering Column Horn Button switches ground for the Horn Relay, which then switches power to the Horns, similar to the AAW design.

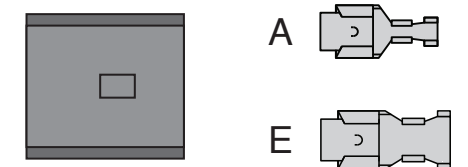
## Accessory Connector

Use the provided 6-way empty connector, which is attached to the 6-way Accessory connector on the Dash Harness, and terminals “**A**” and “**E**” to add power wires (**not included in kit**) for the following optional systems:

Wire Color	Fuse Block Marking	Fuse rating	Description
Tan	ACCY 1	30A	Fused 12 volt ACCESSORY feed.
Dk Blue	FUEL	15A	Fused 12 volt IGNITION feed can be used for fuel pump.
Orange	BAT 1	20A	Fused 12 volt BATTERY feed.
Pink	IGN 1	20A	Fused 12 volt IGNITION feed.
Red	BAT 2	30A	Fused 12 volt BATTERY feed.
Yellow	PWR WDO	30A	Fused 12 volt ACCESSORY feed can be used for power windows.



6-way empty connector (removed from Dash harness connector) and terminals, used to connect your power wires (**not included in kit**) to the dash harness



www.americanautowire.com 856-933-0801

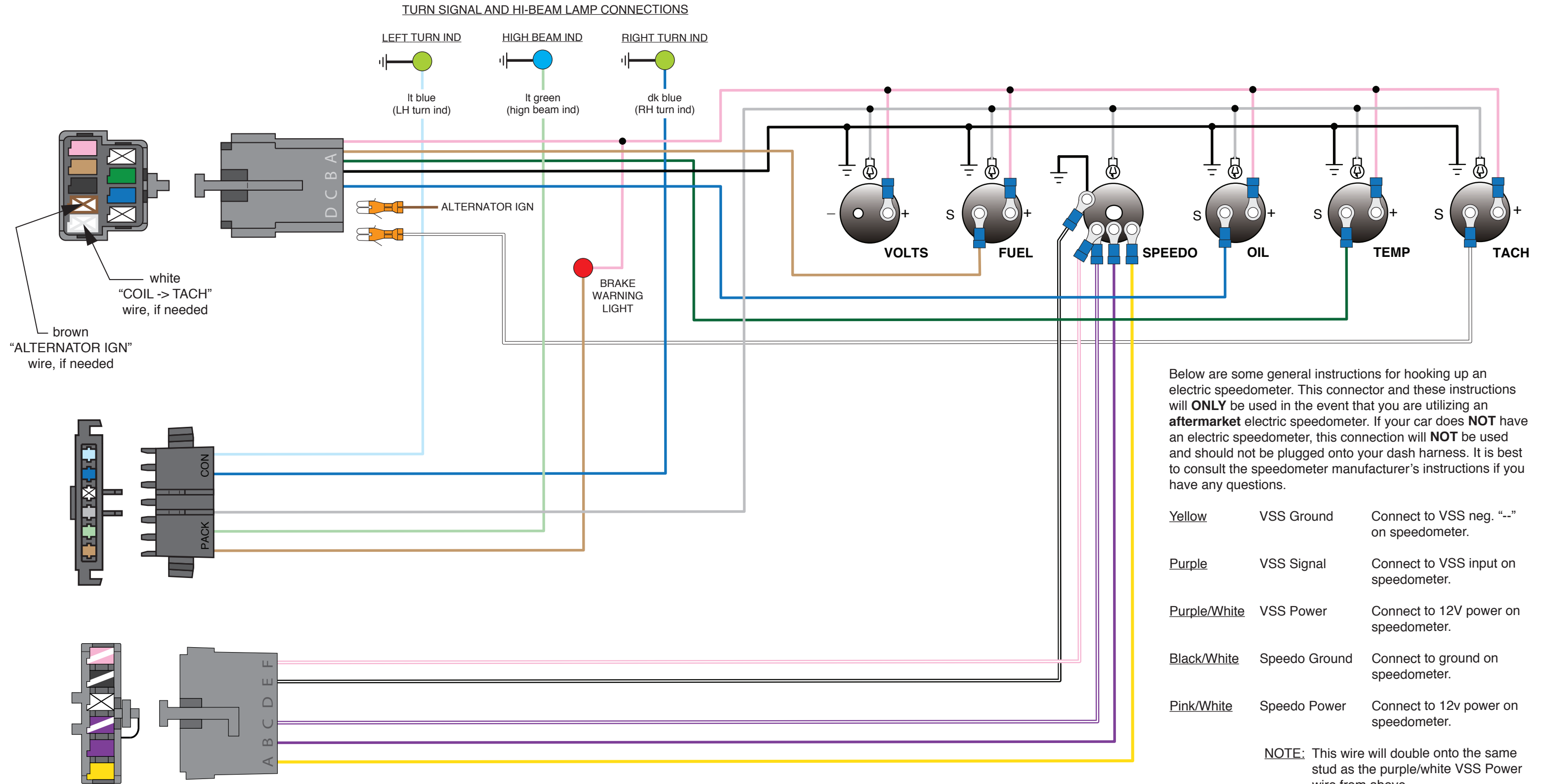
**1983-87 Chevrolet Truck**  
Classic Update Series

**510706**

92971982 Rev 4.0 5/27/2020



# Instrument Cluster harness (aftermarket gauges) installation instructions:



**1983-87 Chevrolet Truck**  
Classic Update Series

**510706** 92971982 Rev 4.0 5/27/2020

See pages 9-10.

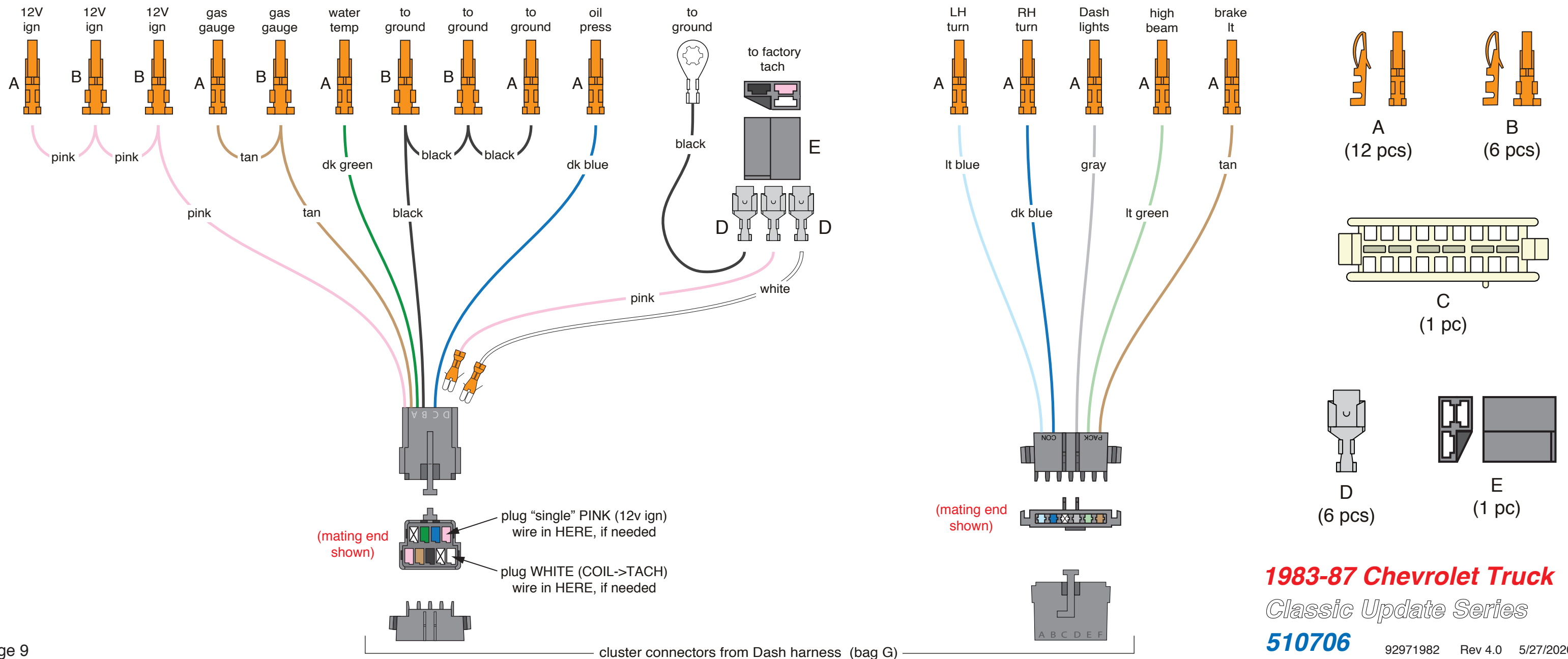
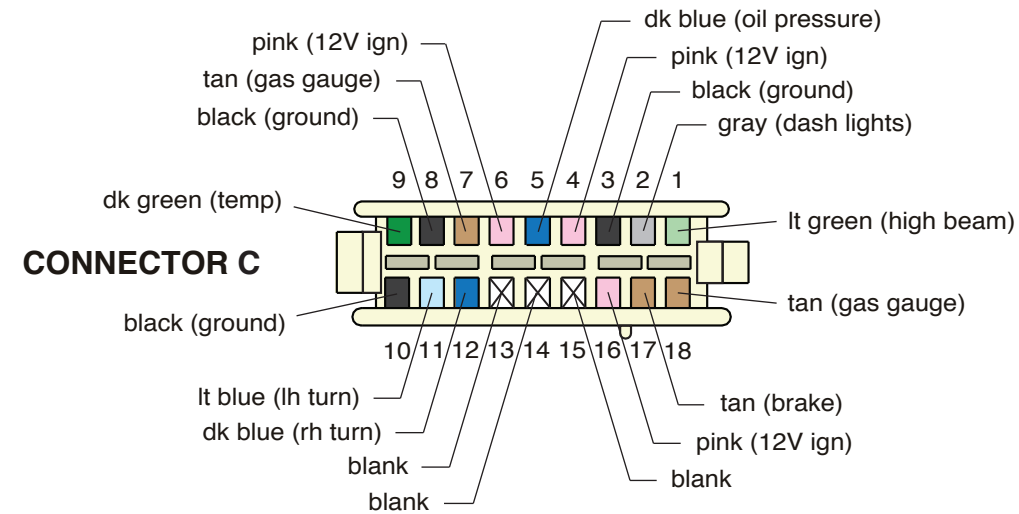


# Instrument Cluster harness installation instructions:

## Cluster: with factory gauge

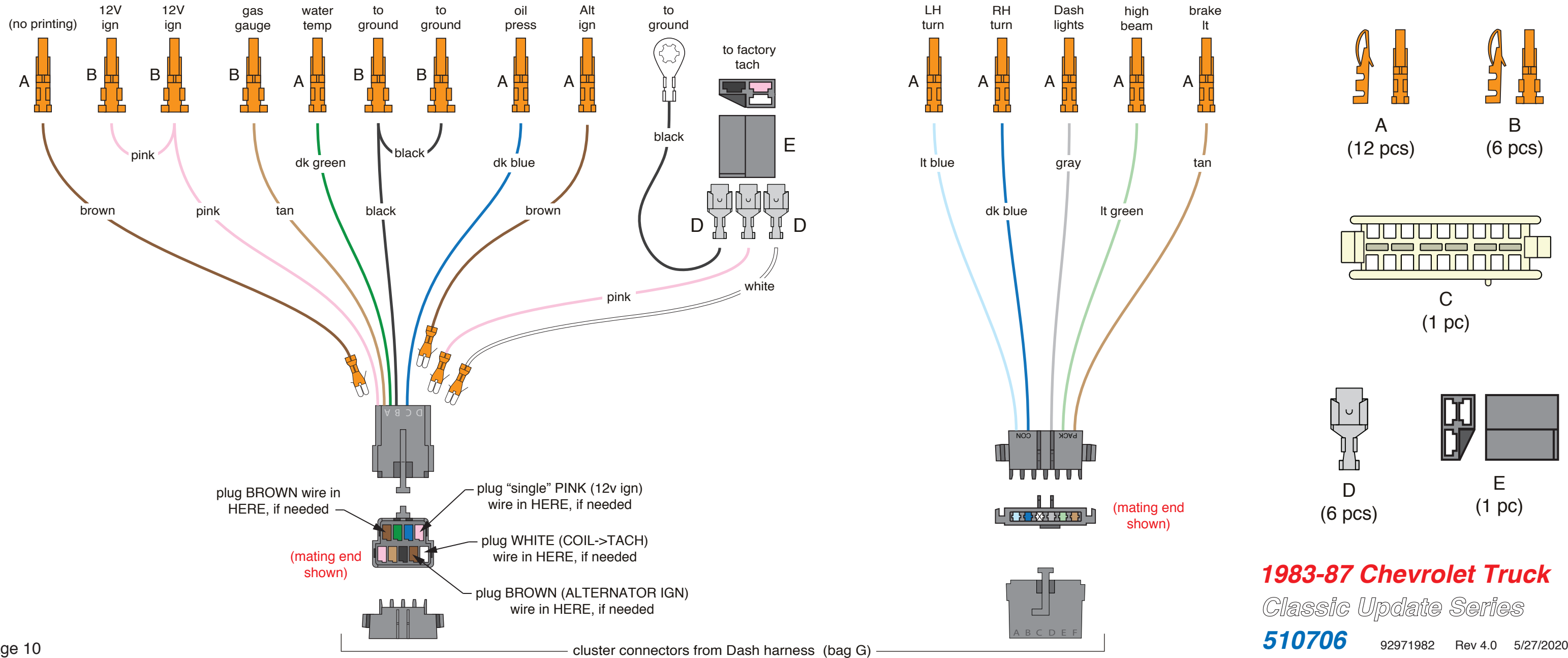
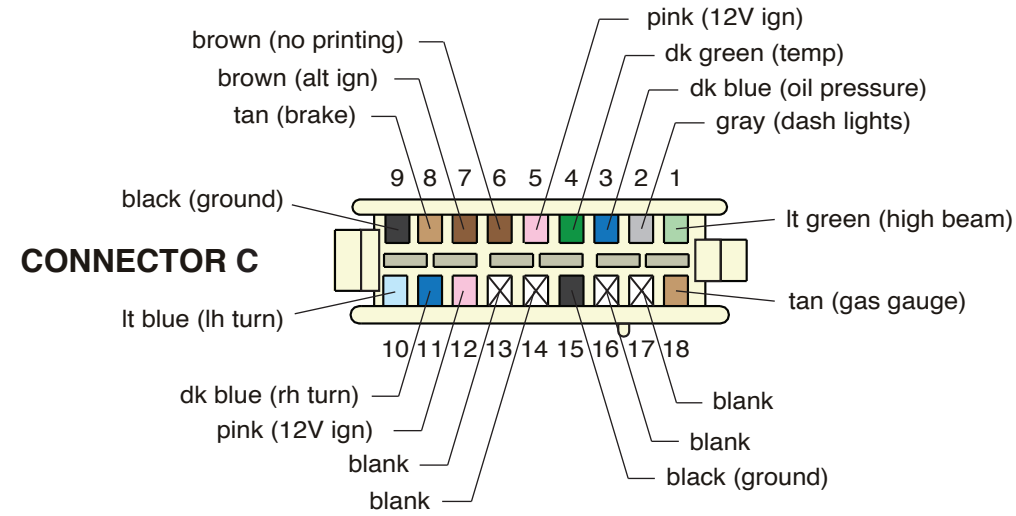


www.americanautowire.com 856-933-0801



# Instrument Cluster harness installation instructions:

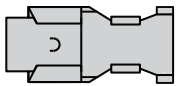
## Cluster: with warning lights

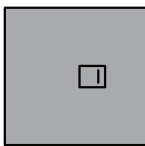


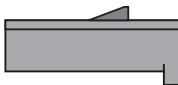
## Rear Body harness installation instructions:

Shown below, are the supplied misc. terminals, plastic connector bodies, boots and wire extensions that will be used to complete your Rear Body harness connections. They are itemized and referred to on this page, just as they are on the following pages of this Rear Body instruction set.

A  (56 series single female terminal, 6 pcs.)


B  (56 series double female terminal, 7 pcs.)

C  (56 series 4-way female conn, 2 pcs.)

D  (56 series single female conn, 3 pcs.)

E  (female pin sleeve, 1 pc.)


F  (single female terminal, 2 pcs.)

G  (rubber grommet, 1 pc.)

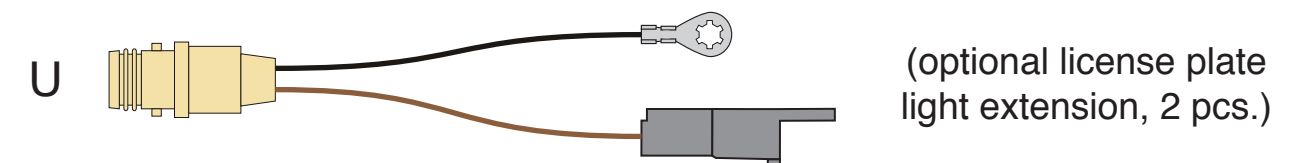
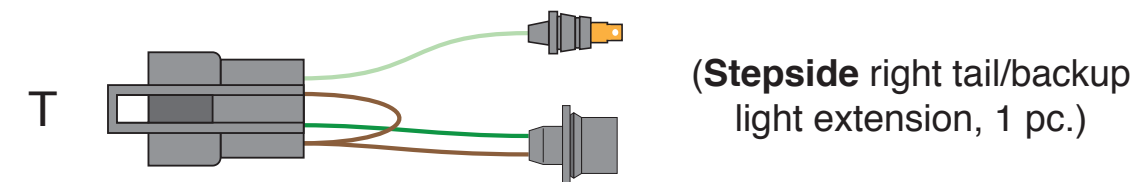
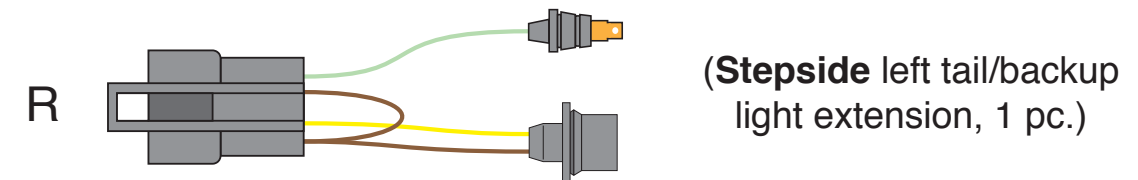
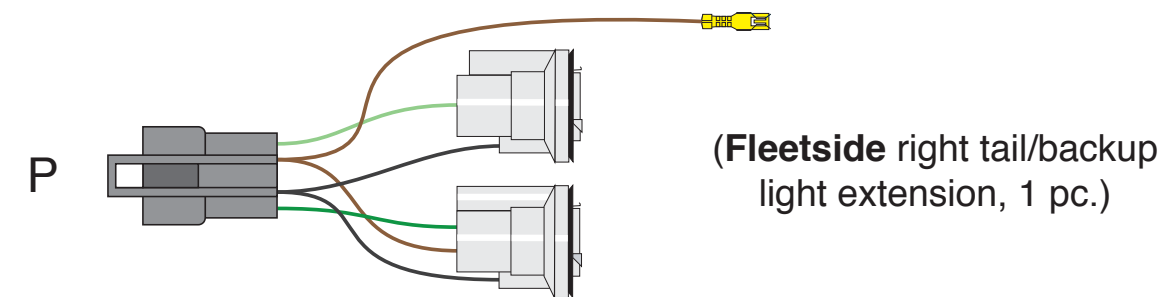
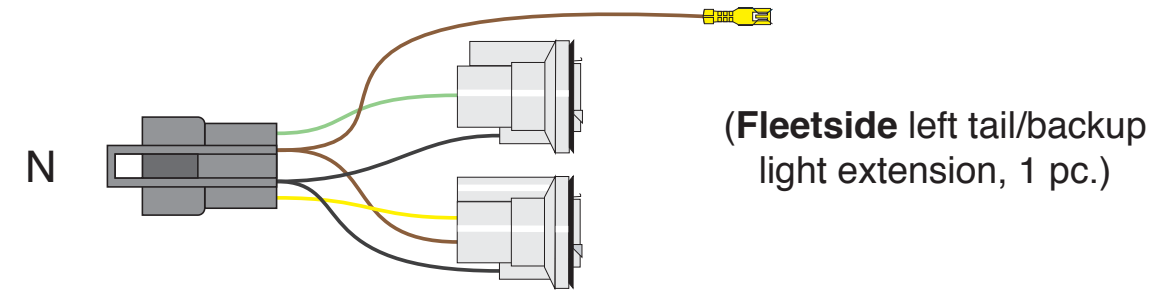
H  (12V Battery - Fused, 1 pc.)

J  (Third Brake Light, 1 pc.)

K  (side-marker extension, 2 pcs.)

L  (fuel gauge extension, 1 pc.)

M  (side-marker assembly, 2 pcs.)



**1983-87 Chevrolet Truck**

*Classic Update Series*

**510706**

92971982 Rev 4.0 5/27/2020

# Rear Body harness installation instructions:

1983-87 Chevrolet Truck

Classic Update Series

510706

92971982 Rev 4.0 5/27/2020



www.americanautowire.com 856-933-0801

the **optional** wires must be plugged into the bulkhead connector in order to utilize these features

wire entry view shown

bulkhead connector

G

frame rail grommet

to third brake light at cab

12V battery feed for accessories

H

to third brake light at rear

J

to ground

A

D

L

to fuel gauge sender

left side marker

M

right side marker

M

left tail light

B

A

A

B

B

A

A

B

right tail light

M

N

C

B

C

B

P

right backup light

M

to ground

left backup light

A

D

B

D

E

license plate light

F

to ground

U

optional license plate light

U

optional license plate light

to ground

route black ground wire from side-marker assemblies "M" (with ring terminal) to the tail light/backup light extensions "N" and "P", cut to length, double crimp the cut ends of the wires into terminals "B" and insert into connectors "C". Attach the ring terminals to a good chassis ground.

USE THIS SHEET FOR ALL **FLEETSIDE** MODELS

# Rear Body harness installation instructions:

1983-87 Chevrolet Truck

Classic Update Series

510706

92971982 Rev 4.0 5/27/2020



www.americanautowire.com 856-933-0801

the **optional** wires must be plugged into the bulkhead connector in order to utilize these features

wire entry view shown

bulkhead connector

G

frame rail grommet

to third brake light at cab

12V battery feed for accessories

H

to third brake light at rear

J

A

D

to ground

M

to fuel gauge sender

M

left side marker light

M

to ground

K

right side marker light

K

left backup light

R

A

A

C

B

right backup light

A

A

B

C

T

left tail light

right tail light

USE THIS SHEET FOR ALL **STEPSIDE** MODELS

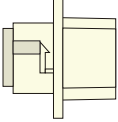


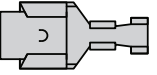
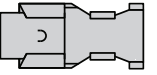
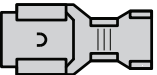
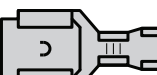
license plate light

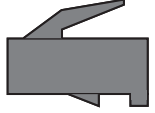
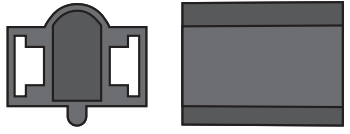
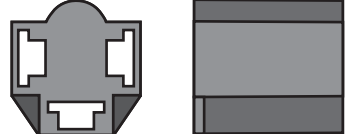
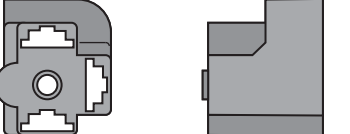




E

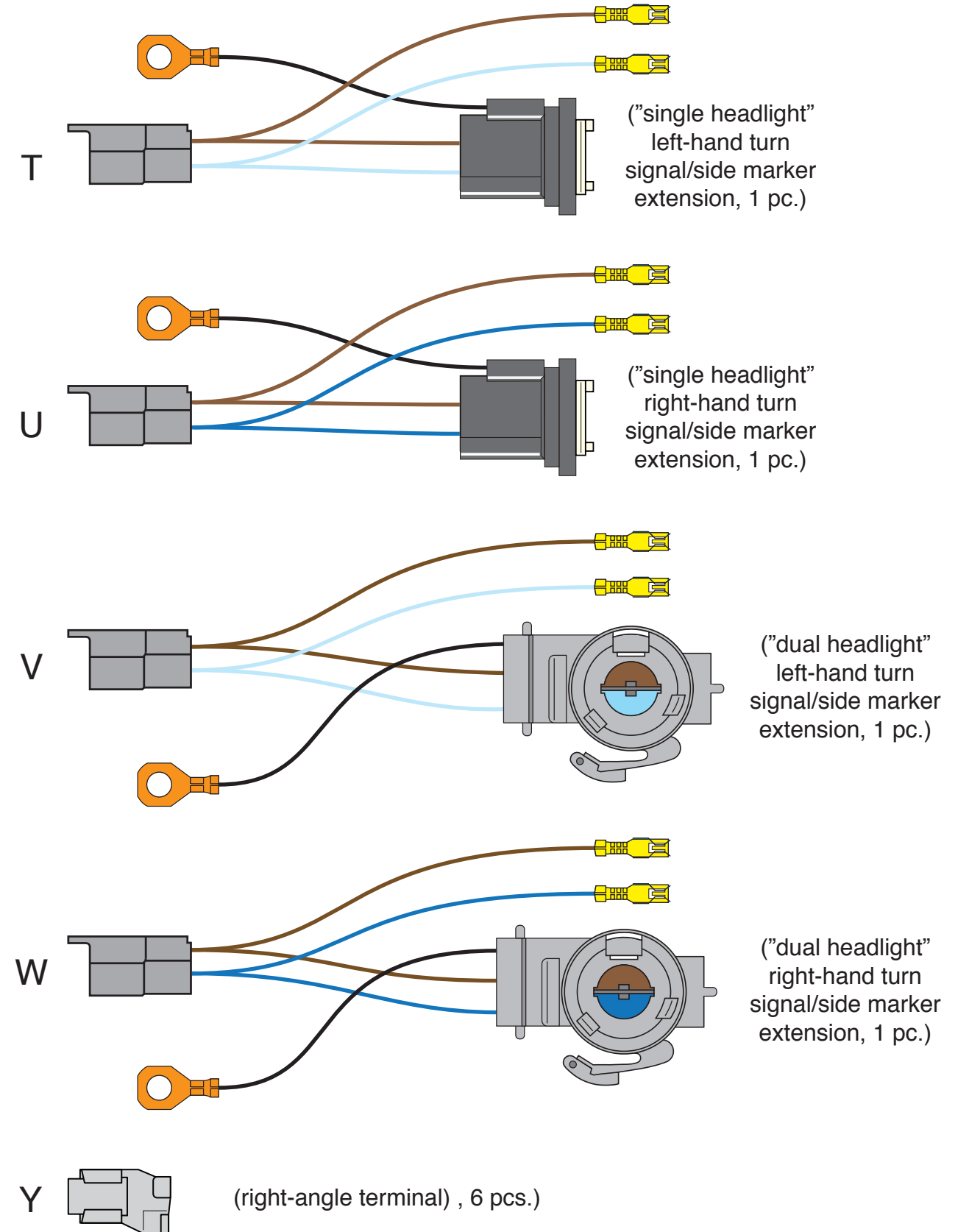
F

# Front Light harness installation instructions:

Shown below, are the supplied misc. terminals, plastic connector bodies and extensions that will be used to complete your Front Light harness connections. They are itemized and referred to on this page, just as they are on the following pages of this Front Light instruction set.

- A  (light socket, 2 pcs.)
- B  (56 series double female connector, 2 pcs.)
- C  (56 series single female grommet, 1 pc.)
- D  (56 series single female terminal, 6 pcs.)
- E  (56 series double female terminal, 4 pcs.)
- F  (59 series double female terminal, 9 pcs.)
- G  (59 series single female terminal, 5 pcs.)

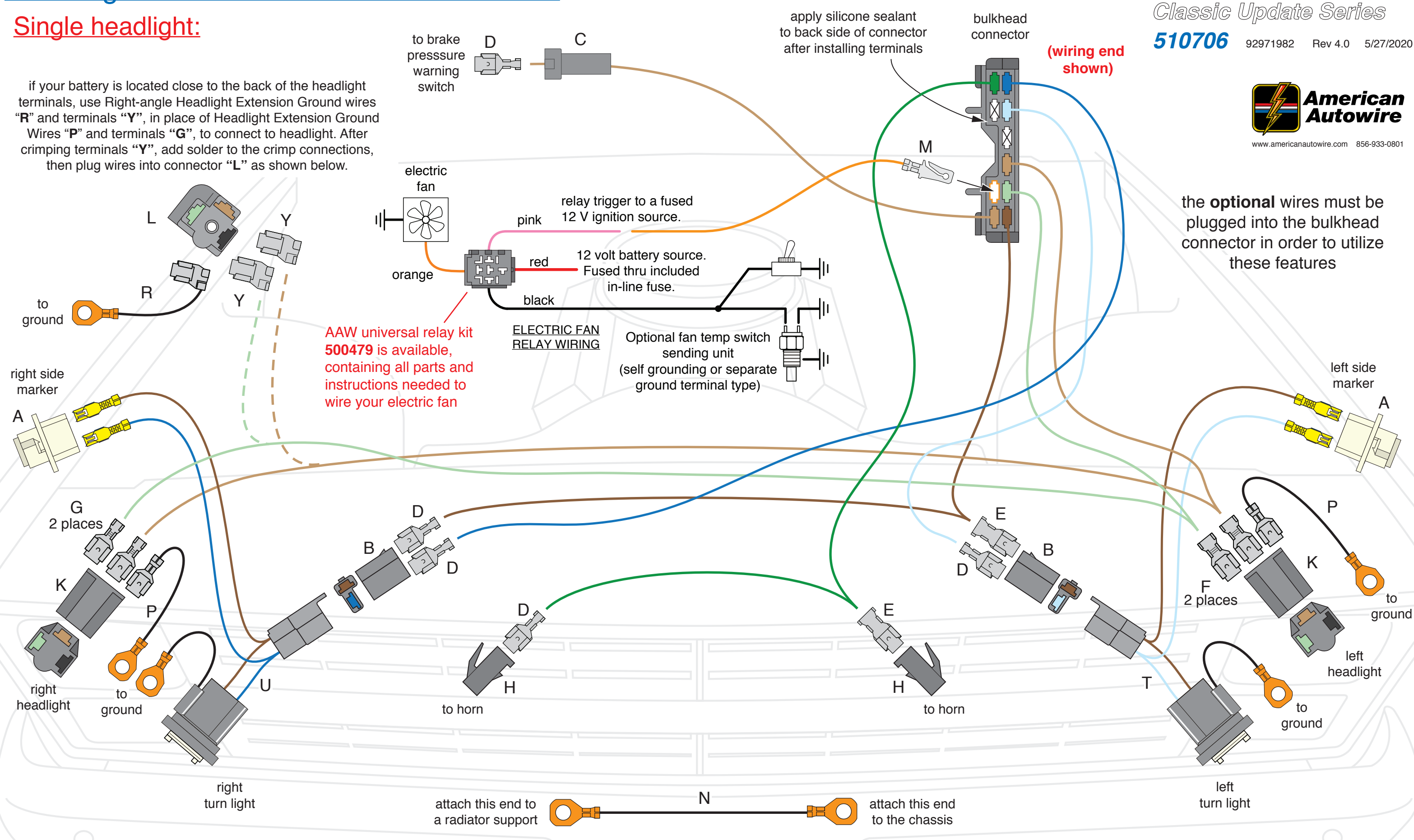
- H  (56 series single female connector, 2 pcs.)
- J  (59 series double female connector, 2 pcs.)
- K  (59 series triple female connector, 2 pcs.)
- L  (90 degree 59 series triple female connector, 2 pcs.)
- M  (electric fan pigtail, 1 pc.)
- N  (chassis ground, 1 pc.)
- P  (headlight extension ground wires, 2 pcs.)
- R  (right-angle headlight extension ground wires, 2 pcs.)



# Front Light harness installation instructions:

## Single headlight:

if your battery is located close to the back of the headlight terminals, use Right-angle Headlight Extension Ground wires "R" and terminals "Y", in place of Headlight Extension Ground Wires "P" and terminals "G", to connect to headlight. After crimping terminals "Y", add solder to the crimp connections, then plug wires into connector "L" as shown below.



AAW universal relay kit 500479 is available, containing all parts and instructions needed to wire your electric fan

ELECTRIC FAN RELAY WIRING

Optional fan temp switch sending unit (self grounding or separate ground terminal type)

(wiring end shown)

the optional wires must be plugged into the bulkhead connector in order to utilize these features

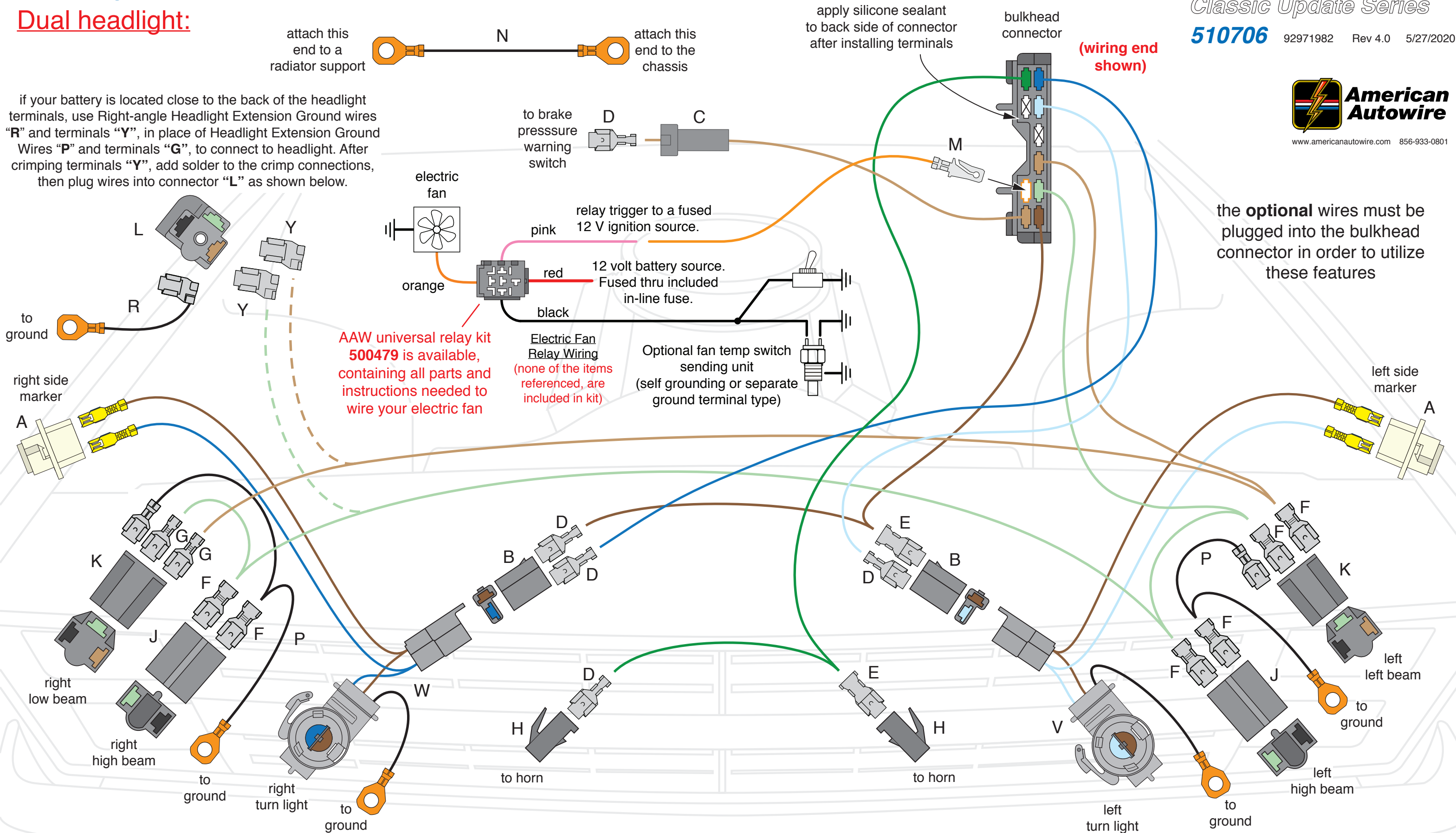




# Front Light harness installation instructions:

## Dual headlight:

if your battery is located close to the back of the headlight terminals, use Right-angle Headlight Extension Ground wires "R" and terminals "Y", in place of Headlight Extension Ground Wires "P" and terminals "G", to connect to headlight. After crimping terminals "Y", add solder to the crimp connections, then plug wires into connector "L" as shown below.



1983-87 Chevrolet Truck

Classic Update Series

510706 92971982 Rev 4.0 5/27/2020

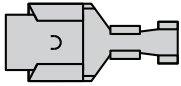
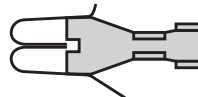

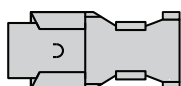
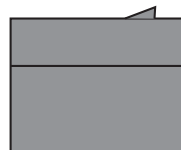








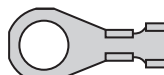
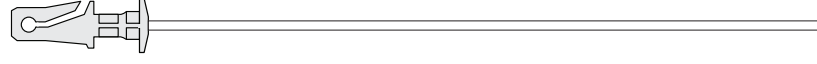
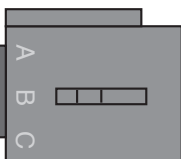
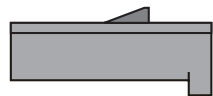

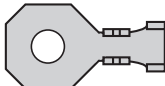
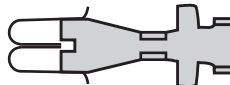



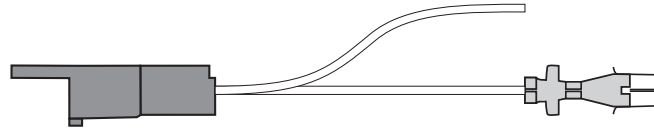
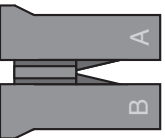
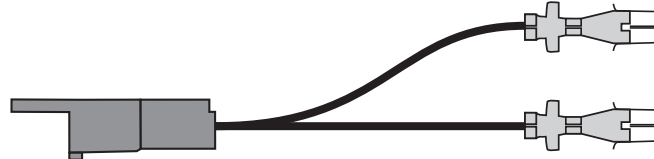
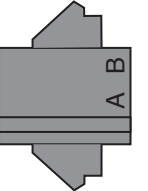

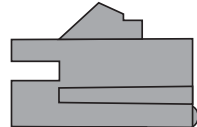
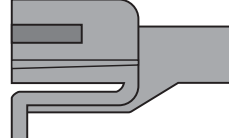


AAW universal relay kit 500479 is available, containing all parts and instructions needed to wire your electric fan

route black ground wire from connectors "P" (with ring terminal) to the high beam light connectors "J", cut to length, double crimp the cut ends of the wire into terminals "F" and insert into connectors "J". Attach the ring terminals to a good chassis ground.

# Engine harness installation instructions:

Shown below, are the supplied misc. terminals, sleeves, plastic connector bodies and wires, that will be used to complete your Engine harness connections. They are itemized and referred to on this page, just as they are on the following pages of this Engine instruction set.

- |   |   |   |    |  |  |    |   |   |
|---|---|---|----|--|--|----|---|---|
| A |    | (56 series single female terminal, 11 pcs.) | L  |    | (Pack-con female terminal, 2 pcs.)                   | DD |    | (Vehicle Speed Sensor signal wire, 1 pc.) |
| B |    | (56 series double female terminal, 3 pcs.)  | M  |    | (56 series double female connector, 1 pc.)           | EE |    | (Vehicle Speed Sensor ground wire, 1 pc.) |
| C |    | (56 series single female connector, 1 pc.)  | P  |    | (small ring terminal for larger gauge wire, 2 pcs.)  | FF |    | (Vehicle Speed Sensor power wire, 1 pc.)  |
| D |    | (56 series single female connector, 2 pcs.) | R  |    | (small rubber sleeve, 2 pcs.)                        | GG |    | (wiper motor park switch wire, 1 pc.)     |
| E |    | (56 series single female connector, 1 pc.)  | T  |  | (small ring terminal for smaller gauge wire, 3 pcs.) | HH |    | (Coil-->Tach wire, 1 pc.)                 |
| F |  | (Pack-con 3-way female connector, 1 pc.)    | U  |  | (56 series single female connector, 2 pcs.)          | JJ |    | (electric choke wire, 1 pc.)              |
| G |  | (large ring terminal, 2 pcs.)               | Y  |  | (Pack-con female terminal, 4 pcs.)                   | KK |  | (alternator ign wire, 1 pc.)              |
| H |  | (large rubber sleeve, 1 pc.)                | AA |  | (GM "SI" alternator exciter wiring, 1 pc.)           | LL |  | (wiper feed extension, 1 pc.)             |
| J |  | (Pack-con double female connector, 1 pc.)   |    |  |  | MM |  | (wiper low-speed extension, 1 pc.)        |
| K |  | (Pack-con double female connector, 1 pc.)   |    |  |  | NN |  | (Pack-con male terminal, 2 pcs.)          |
|   |   |   |    |  |  | PP |  | (Pack-con single female connector, 1 pc.) |
|   |   |   |    |  |  | RR |  | (Pack-con single male connector, 1 pc.)   |

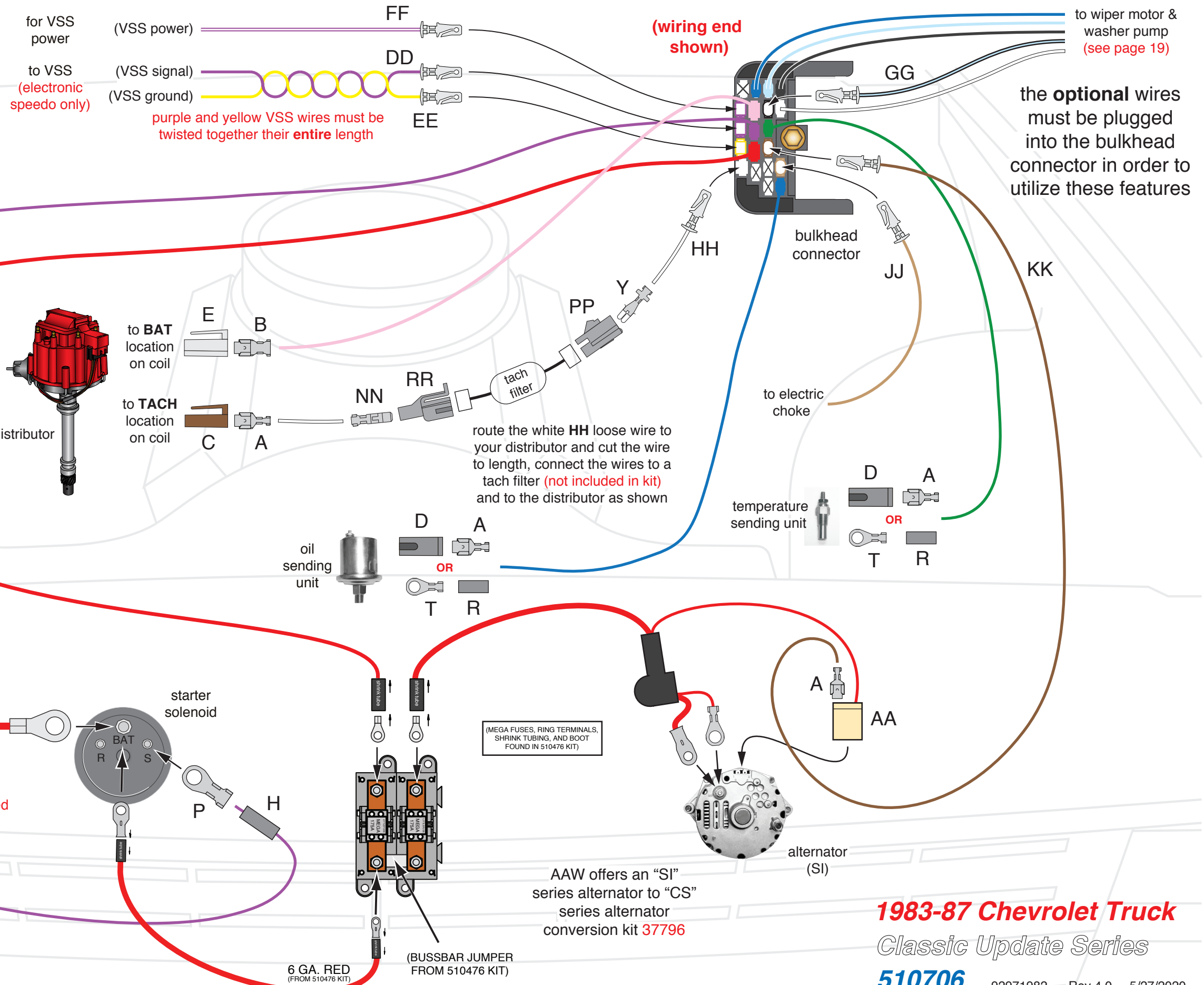


**1983-87 Chevrolet Truck**  
*Classic Update Series*  
**510706** 92971982 Rev 4.0 5/27/2020

# Engine harness installation instructions:

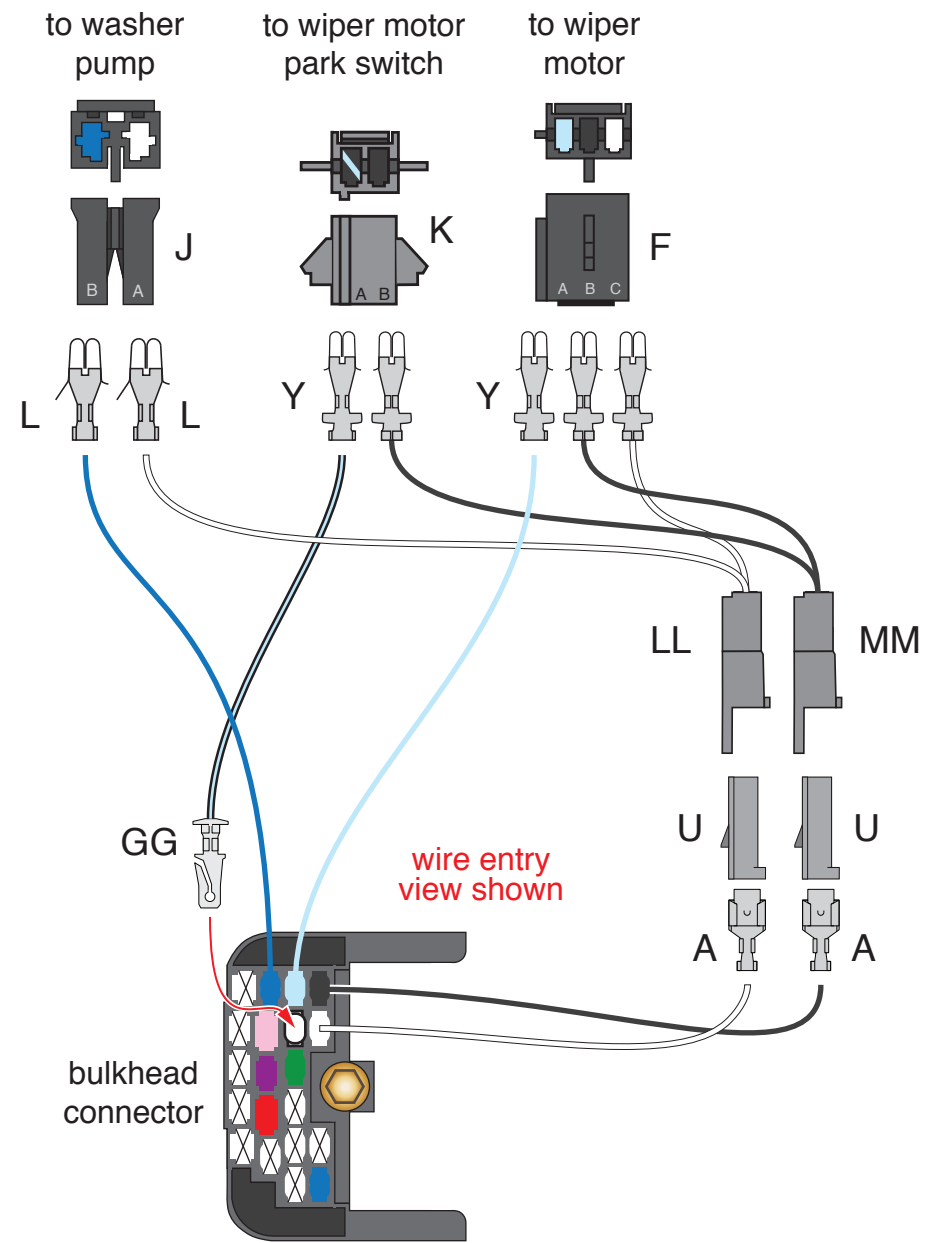


www.americanautowire.com 856-933-0801



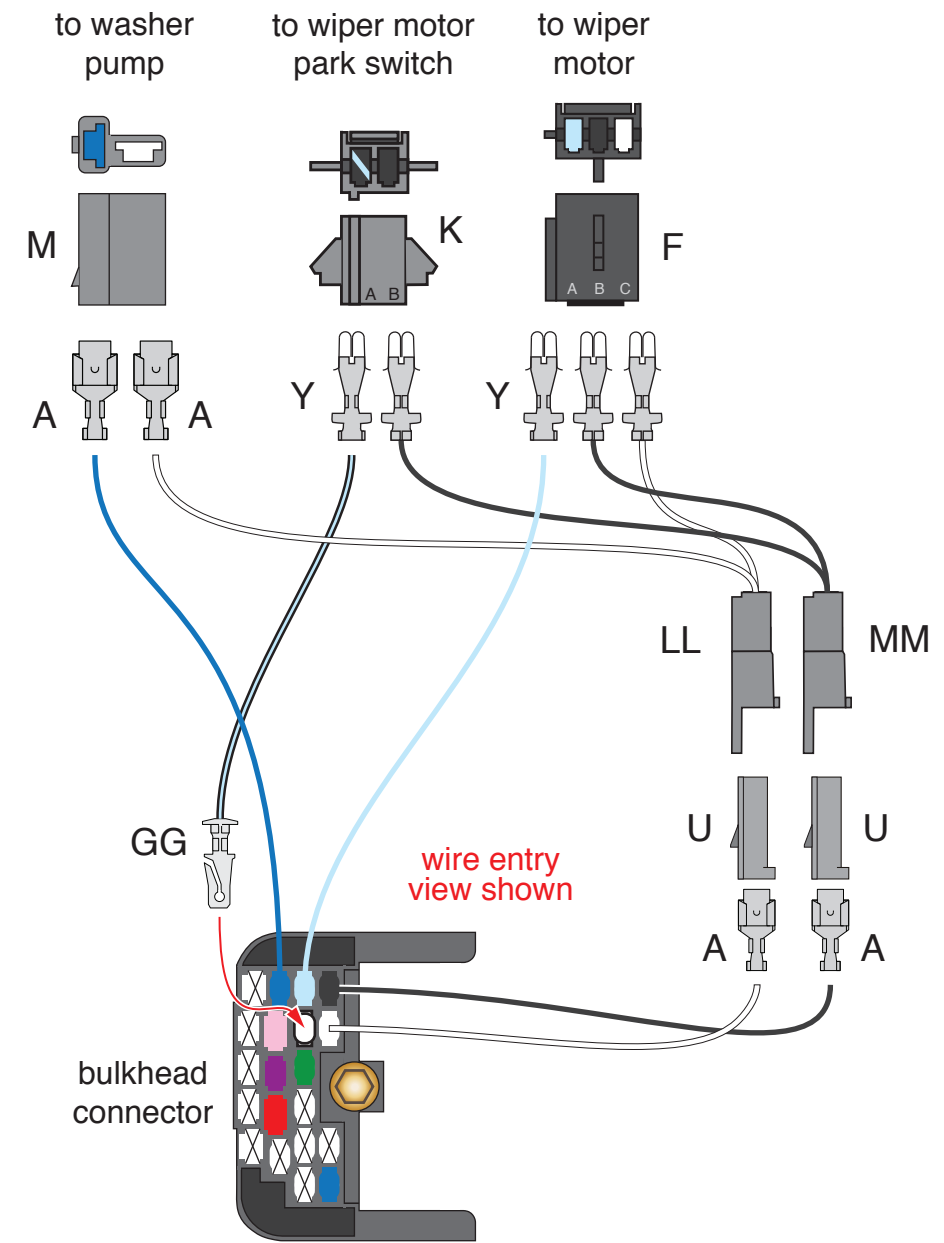
# Engine harness installation instructions:

## Wiper motor & washer pump wiring:



**1983-84**

the **optional** wires must be plugged into the bulkhead connector in order to utilize these features



**1985-87**



www.americanautowire.com 856-933-0801

**1983-87 Chevrolet Truck**  
*Classic Update Series*  
**510706** 92971982 Rev 4.0 5/27/2020

### **STEP 3: RECONNECT YOUR BATTERY:**

When you have completed the installation and are ready to reconnect the battery, make sure that the following electrical system grounds are in place:

- A. Battery is grounded to the ENGINE BLOCK.
- B. Battery is grounded to the frame.
- C. Engine block is grounded to the frame.
- D. Body is grounded to the frame.

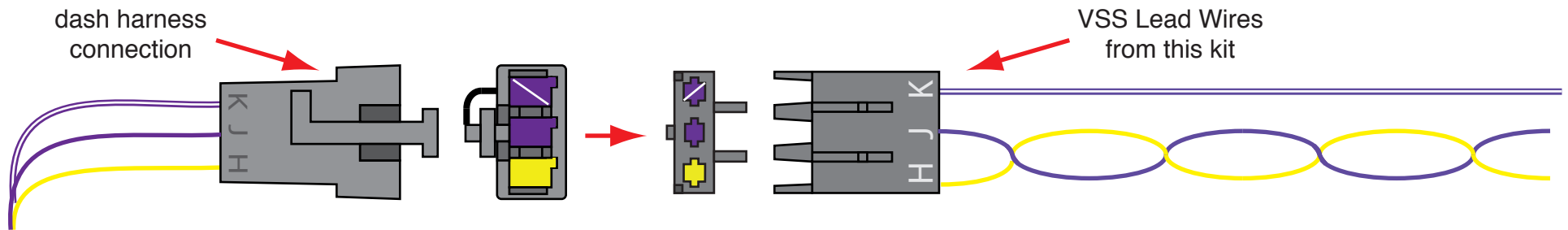
### **STEP 4: CHECK ALL ELECTRICAL FUNCTIONS:**

Any non-functioning items should be checked for proper installation. Any problems with your wiring and electrical circuit functions, should be addressed to American Autowire Systems, Inc. as soon as possible, to avoid any warranty problems.

If you have any questions concerning this or any of our products, please feel free to call us at 1-856-933-0801.



## Electric Speedo VSS extension connection:



If you are using an aftermarket electric speedometer in your vehicle, you will need to connect the vehicle speed sensor (VSS) Lead Wires from this kit to the dash side connection of your dash harness. The yellow and solid purple wires must remain twisted together as shown above. These three wires will need to pass through the firewall or floor of your vehicle down to the vehicle speed sensor unit in the transmission. Generally, the solid purple wire connects to the “signal” lead, the yellow wire connects to the “ground” lead, and the purple/white stripe wire connects to the “12 volt power” lead on the vehicle speed sensor assembly. However, you should consult the directions that came with your gauges, and connect your vehicle speed sensor per the manufacturer’s instructions.



[www.americanautowire.com](http://www.americanautowire.com) 856-933-0801

VSS LEAD WIRES  
Various Applications  
Classic Update Series

**510730**

92972371 Rev 0.0 4/9/2019

bag  
**V**

# COURTESY AND DOME LIGHT CONNECTION KIT

## UNDER DASH COURTESY EXTENSIONS A

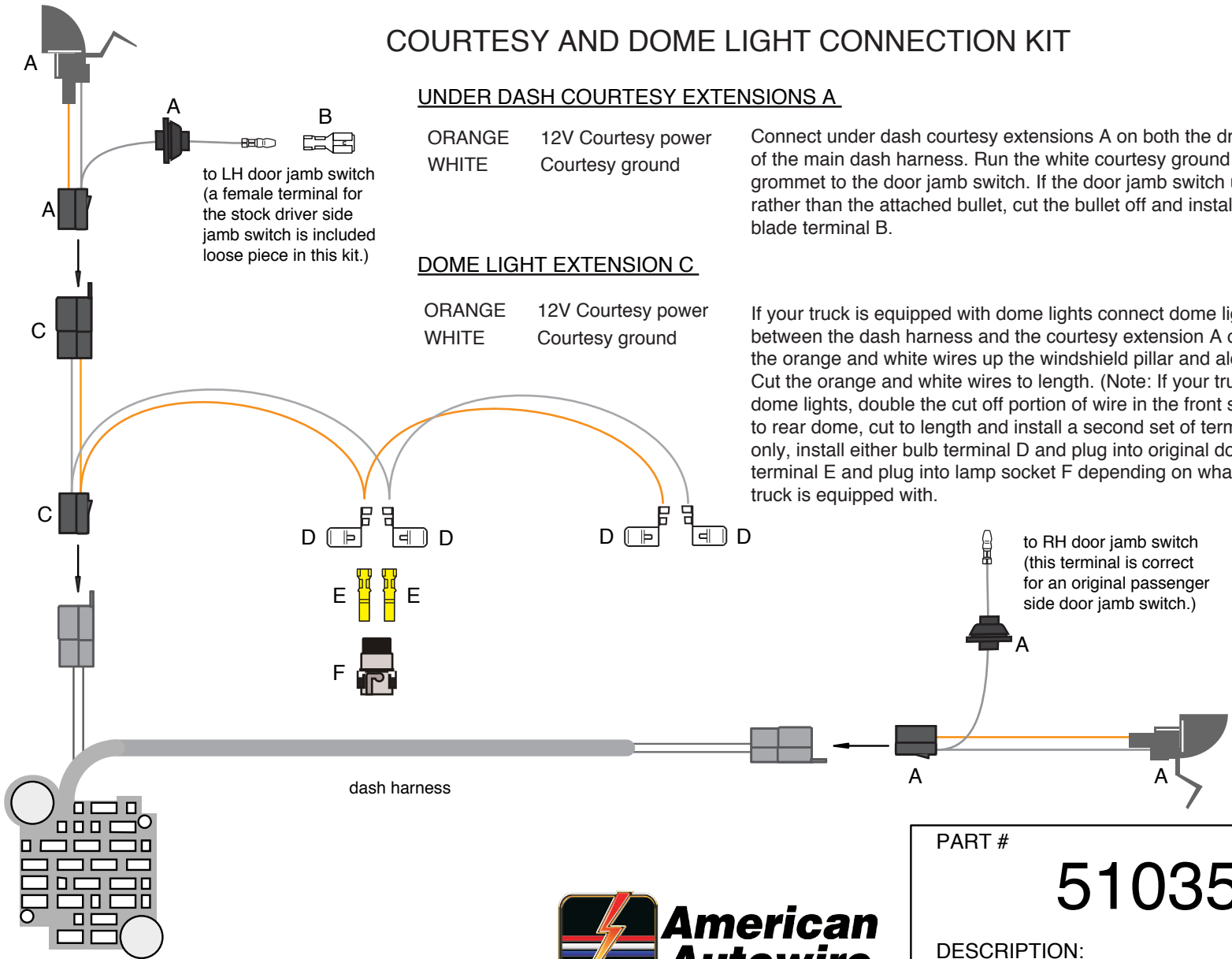
ORANGE 12V Courtesy power  
 WHITE Courtesy ground

Connect under dash courtesy extensions A on both the driver and passenger sides of the main dash harness. Run the white courtesy ground through the supplied grommet to the door jamb switch. If the door jamb switch uses a blade type terminal rather than the attached bullet, cut the bullet off and install the supplied female blade terminal B.

## DOME LIGHT EXTENSION C

ORANGE 12V Courtesy power  
 WHITE Courtesy ground

If your truck is equipped with dome lights connect dome light extension C in between the dash harness and the courtesy extension A on the drivers side. Route the orange and white wires up the windshield pillar and along roof to the dome light. Cut the orange and white wires to length. (Note: If your truck is equipped with two dome lights, double the cut off portion of wire in the front set of terminals D, route to rear dome, cut to length and install a second set of terminals D.) For front dome only, install either bulb terminal D and plug into original dome light housing or install terminal E and plug into lamp socket F depending on what type of dome light your truck is equipped with.



**NOTE:** Your new underdash courtesy lamp kit uses # 631 bulbs (not included with this kit). They may be purchased at any auto parts store.



www.americanautowire.com 856-933-0801

PART #

510354

N

DESCRIPTION:

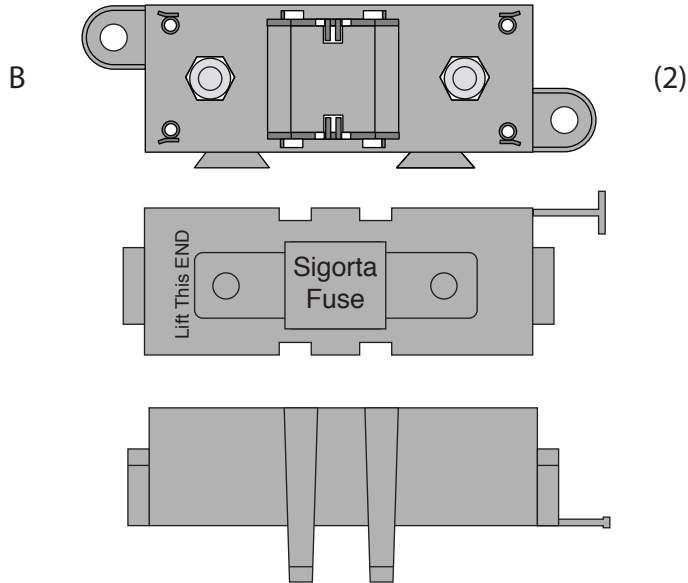
Courtesy Lamp Kit

92970203

Rev 1.0

8/19/2013

A  (1)  
 (144.0" 6 Gauge charge wire)



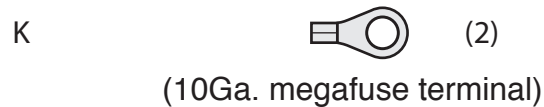
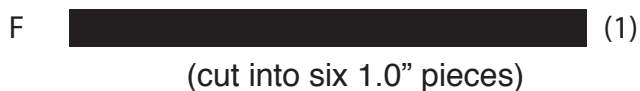
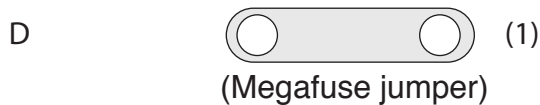
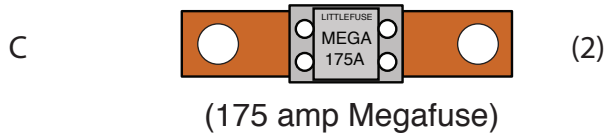
1. On this page, you will find the wire, fuse bodies, fuses, boot, ring terminals, and shrink tubing (items A through K) that are necessary to connect your alternator and main power feed for your new AAW wiring kit. Please be sure that all of the necessary components are present before starting this portion of your installation. If anything is missing, stop what you are doing and contact AAW at the number listed below right away.

2. On page 2, you will find directions for building the 2 Megafuse assemblies (items B,C and D) into one unit.

3. On page 3, you will find an overall concept of how to connect the Megafuse assemblies to your starter solenoid, alternator and main power feed of your new wiring system.

4. On page 4, you will find tips on building your charging circuit wires and assembling them and the main panel power feed wire to the Megafuse assemblies.

(Megafuse body, cover and two M8 x 1.25 nuts / lock washers)



www.americanautowire.com 856-933-0801

PART #

510476

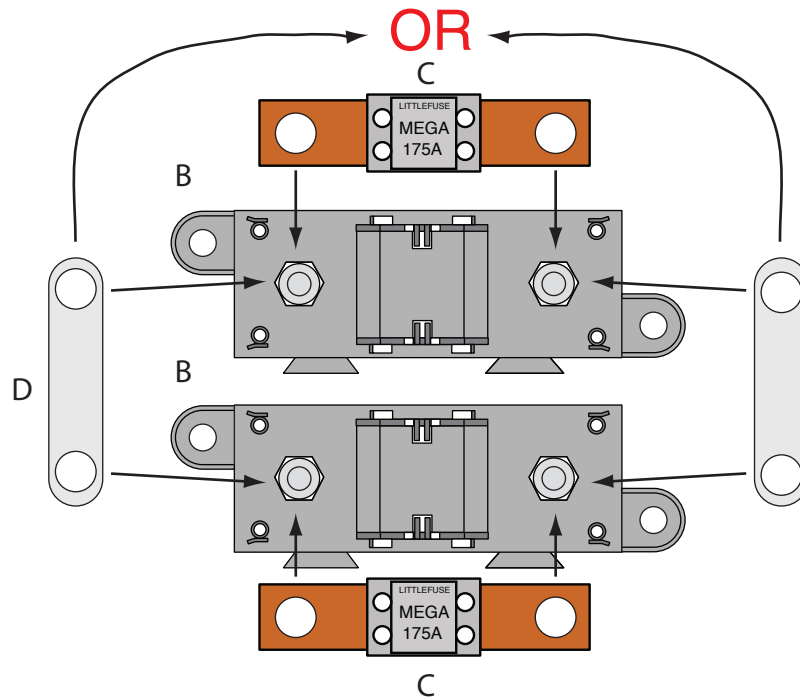
Z

DESCRIPTION:

Alternator and Main Power  
 Connection Kit  
 Various Applications

92972153 instruction sheet rev 0.1 6/24/2019

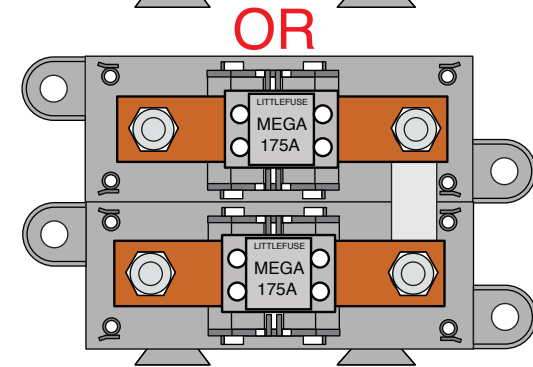
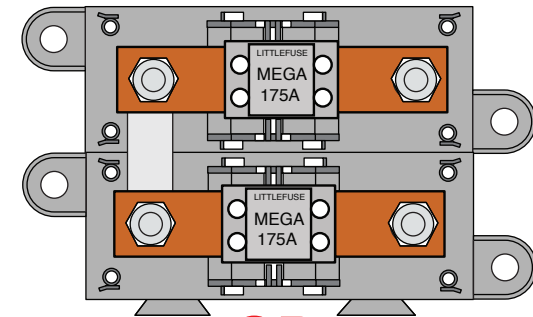




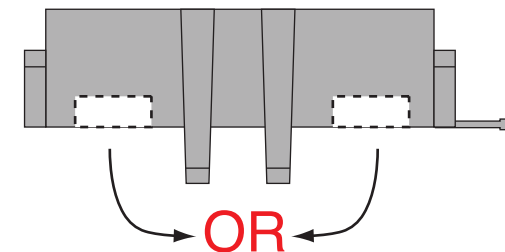
## Assembling the (2) Megafuse assemblies

**NOTE:** Find a suitable place, as close to the battery power source as possible, under the hood of your vehicle to mount the completed Megafuse assemblies. Keep in mind that you have 12 feet of 6Ga. charging wire, and that the main power feed coming from your panel or bulkhead connection must also be able to reach the assembly.

1. Take the two Megafuse bodies and covers (items B) and snap them together. Remove the 4 nuts and lock washers from the studs on the fuse body assemblies.
2. Install the Megafuse jumper (item D above) over two of the studs on the Megafuse bodies. It is very important that the jumper **MUST BE** assembled on the side that is going to connect to your main power connection (starter solenoid or battery feed).
3. Notch top cover to clear jumper D as shown at right.
4. Snap one 175amp fuse (items C) onto the studs of each of the two Megafuse bodies (items B), over the jumper, then loosely re-attach the 4 nuts and lock washers back onto the assembled Megafuses. The fuse assemblies are ready to install into your vehicle.



## Assembled Megafuses



## Notched Cover

PART #

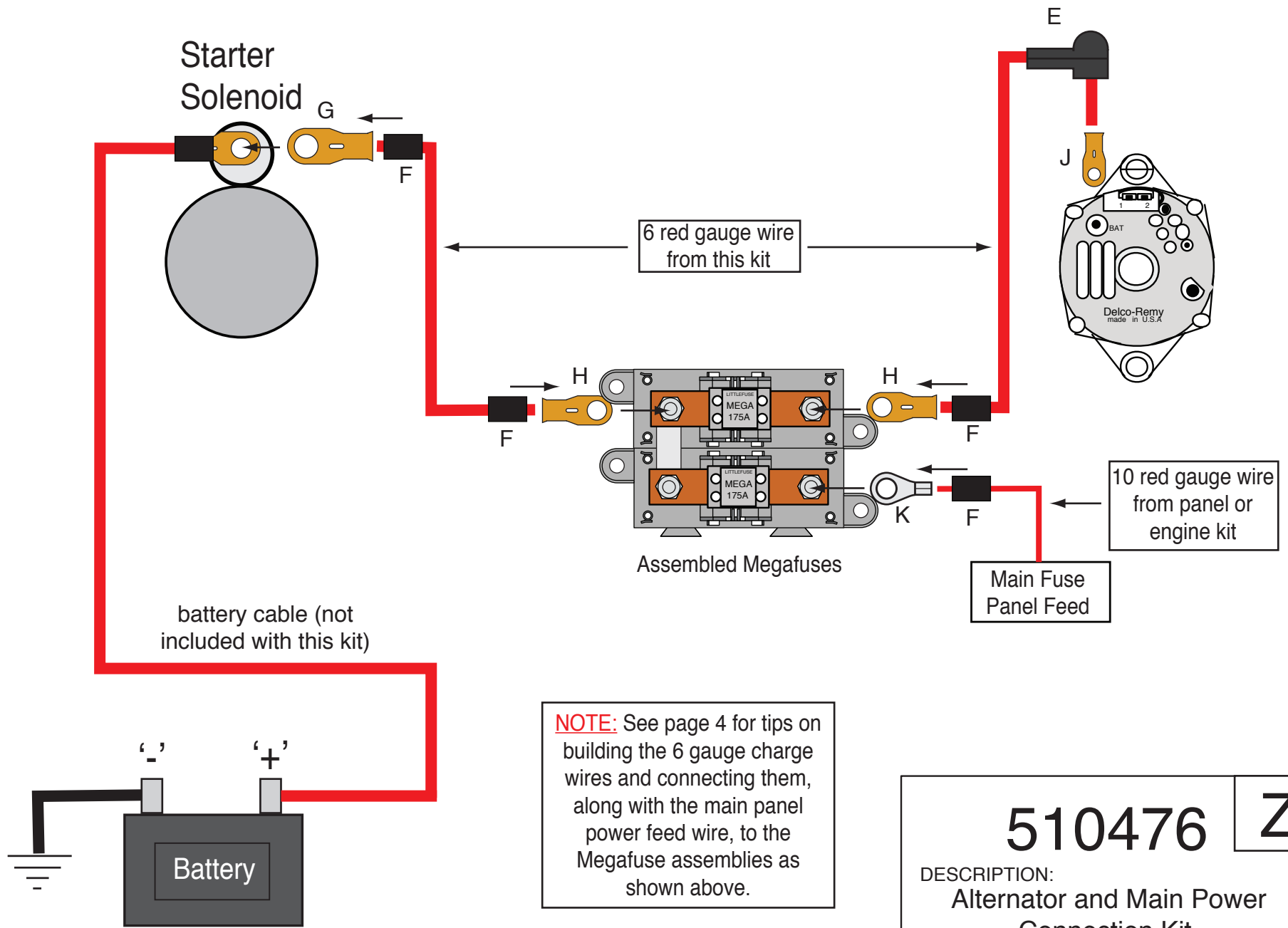
**510476**

**Z**

DESCRIPTION:

Alternator and Main Power  
Connection Kit  
Various Applications

92972153 instruction sheet rev 0.1 6/24/2019



**NOTE:** See page 4 for tips on building the 6 gauge charge wires and connecting them, along with the main panel power feed wire, to the Megafuse assemblies as shown above.

<h1 style="margin: 0;">510476</h1>	Z
<p>DESCRIPTION:  <b>Alternator and Main Power Connection Kit</b>  <b>Various Applications</b></p>	
<p>92972153 instruction sheet rev 0.1 6/24/2019</p>	

## **Building the 6Ga. charge wires and connecting them and the main panel power feed wire to the Megafuse assemblies:**

**NOTE:** Make sure that your battery is disconnected! You will need to install the preassembled Megafuses from page 2 in your vehicle to start this part of the installation.

1. Pre-cut item F shrink tubing into (6) 1.00" - 1.25" pieces.
2. Take the 12-foot piece of 6Ga. red wire from this kit and route it from your starter (or other battery feed) over to the area where you have mounted your Megafuse and cut it to length. Strip the insulation on each end back 1/2". Install 2 pieces of shrink tubing F onto the wire. At the starter end, crimp and solder (1) of terminal G onto the wire. At the Megafuse end, crimp and solder (1) of terminal H onto the wire. Slide the shrink tubing over the terminals and heat it up to shrink it down.
3. Take the remaining portion of the 12-foot piece of 6Ga. red wire from this kit and route it from your alternator over to the area where you have mounted your Megafuse and cut it to length. Strip the insulation on each end back 1/2". Install 1 piece of shrink tubing F onto the wire. At the alternator end, slip on boot E as shown on page 3, then crimp and solder (1) of terminal J onto the wire. At the Megafuse end, crimp and solder (1) of terminal H onto the wire. Slide the shrink tubing over terminal H and heat it up to shrink it down.
4. Take the 10Ga. red main power feed wire from your engine or panel sub-kit and route it over to the area where you have mounted your Megafuse and cut it to length. Strip the insulation back 3/8". Install 1 piece of shrink tubing F onto the wire, then crimp and solder (1) of terminal K onto the wire.
5. Remove the 4 loosely tightened nuts and lock washers from the assembled Megafuses, then using the drawing on page 3 as a guide, install your pre-assembled wires from steps 2-4 above. Re-install the 4 nuts and lock washers onto the assembled Megafuses and tighten them down. This part of your installation is now complete.

**510476**

**Z**

DESCRIPTION:

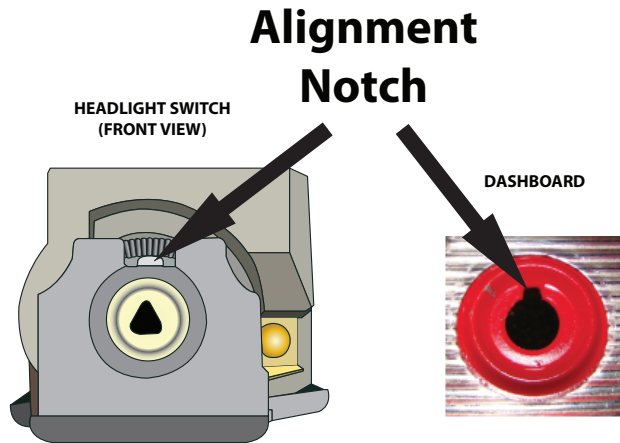
**Alternator and Main Power  
Connection Kit  
Various Applications**

92972153 instruction sheet rev 0.1 6/24/2019

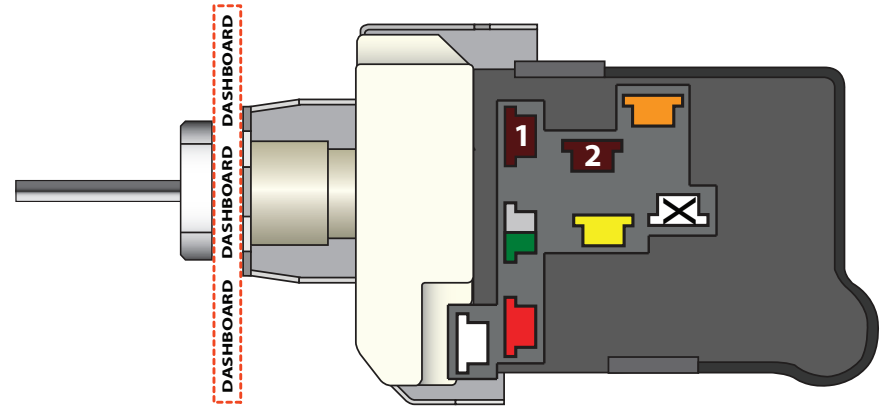
Most switches supplied with Classic Update and Universal Kits ship with the shaft pre-installed. In many instances, the switch can be installed without removing the shaft, but in some cases the switch shaft may need to be trimmed to fit your specific dash. In this situation, reference Trim to Fit instructions on the back of this page for details.

**To install your new headlight switch:**

1. Install the switch from behind the dash, and align the switch body with the mounting hole. The switch body has an alignment tab that must line up with the notch in the dashboard mounting hole.



2. Install the switch mounting nut and tighten.
3. Gently press shaft into switch until it stops, then press firmly until it "clicks." Pull shaft back out to confirm it is seated correctly. The shaft should be locked into place inside switch.
4. If the shaft does not lock, reinsert applying moderate pressure and slowly move shaft side to side for lock to engage. Make sure switch body is still supported to prevent flexing. Press shaft firmly until it clicks into place.
5. Ensure the shaft is fully seated and in the off position.



<b>1</b>	Parking Lights - Stay on with headlights
<b>2</b>	Tail Lights - On in the park and headlight positions
	Fused Battery Feed - For park, tail and dash lamps
	Headlight Feed - Power to the headlight dimmer switch
	12V Battery Feed - Unfused power to the switch for headlights
	Courtesy Ground - Ground feed to the dome and courtesy lights
	Part-time Parking Lights - Turns off when the headlights are on (Not supported by all kits)
	Dash Lights - Output to the dash light fuse or lights



www.americanautowire.com 856-933-0801

PART # **500332**  
 DESCRIPTION:  
**Headlight Switch**

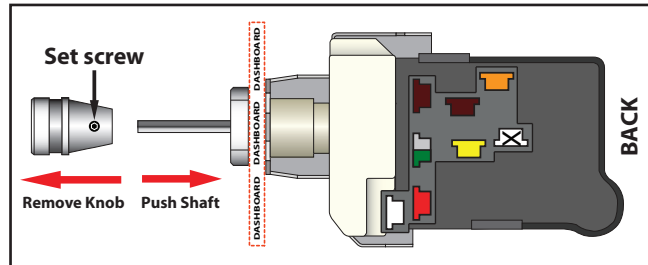
92964649 Rev 3.0 1/10/2020

## To Trim Shaft to Fit or Remove Shaft:

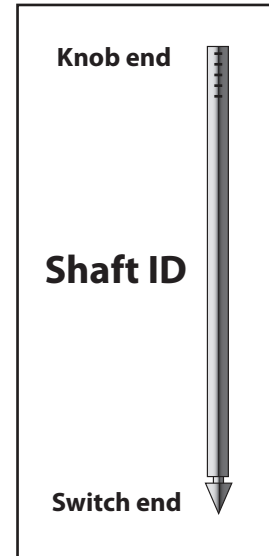
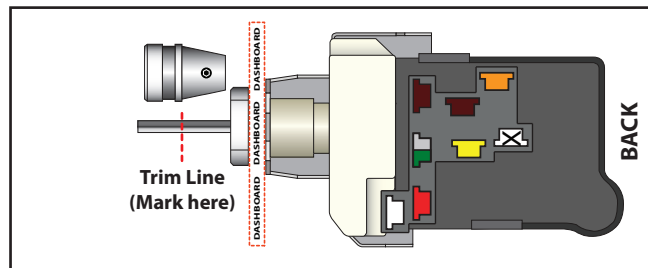
The headlight shaft knob should extend from the face of the mounting nut, and must allow enough clearance for the switch to turn off. If the shaft is longer than necessary for your specific dash it can be trimmed to fit. Always trim the knob end of the shaft only and follow the guidelines below for best results.

1. With the headlight switch installed, loosen the set screw and remove the knob. Make sure the switch is in the "off" position by pushing the shaft toward the back of the switch.

**Switch in OFF position**  
(shaft pushed all the way in)



2. Set knob alongside shaft and mark the desired location for cutting on the shaft.



3. Remove the shaft and trim at mark. The shaft can be released from the switch by pulling it outward (toward the rear of the vehicle). Once fully in the "On" position, press and hold the release button on the base of the switch body. Once button is pressed, continue to pull the shaft outward. New switches may be tight, and it might be necessary to move the shaft side to side slightly while pulling to release.

