



# American Autowire

150 Heller Place Bellmawr, NJ 08031 856-933-0801



## INSTALLATION INSTRUCTIONS

This wiring kit is designed for ease of installation. Please read the guidelines below, BEFORE STARTING YOUR INSTALLATION, to guarantee a successful job!

### STEP 1: DISCONNECT YOUR BATTERY

Disconnect the battery before installing the wiring kit to prevent any accidental shorting caused by loose bare wire ends.

### STEP 2: MOUNT YOUR PANEL

It is recommended that you mount your panel under the dash, in the kick panel, or under the front seat. The fuse panel can be found in bag 510500.

### STEP 3: START INSTALLING KIT

This kit is broken down into individual steps that are identified by a letter printed on the instruction sheets visible through each bag. These letters are the order of operation for installing your kit. Start with the bag letter "A", then "B", etc. The order of installation is shown below.

A	510506	Ignition Switch and Starter Wiring Kit
B	510505	Alternator Connection Kit
C	510502	Headlight Switch Kit
D	510501	Steering Column / Turn Signal Connection Kit
E	510503	Gauge Connection Kit (Sending Unit Side)
F	510504	Accessory Connection Kit

### STEP 4: RECONNECT YOUR BATTERY

When you have completed the installation and are ready to reconnect the battery, make sure that the following electrical system grounds are in place:

- A. Battery is grounded to the engine block.
- B. Battery is grounded to the frame.
- C. Engine block is grounded to the frame.
- D. Body is grounded to the frame.

### STEP 5: CHECK ALL ELECTRICAL FUNCTIONS

Any non-functioning items should be checked for proper installation. Any problems with your wiring and electrical circuit functions should be addressed with American Autowire Systems, Inc. as soon as possible to avoid any warranty problems.

If you have any questions concerning this or any of our products, please feel free to call us at 1-800-482-WIRE.

**"AMERICAN AUTOWIRE MAKES WIRING THAT EASY!"**

**ALSO AVAILABLE FROM AMERICAN AUTOWIRE**

HOOD & TRUNK LIGHTS  
DOOR JAM SWITCHES  
CUSTOM BATTERY CABLES  
TERMINALS, CONNECTORS  
GROMMETS, LIGHT SOCKETS  
MASTER DISCONNECT SWITCHES  
LED LIGHTS  
GLOVE BOX LIGHT

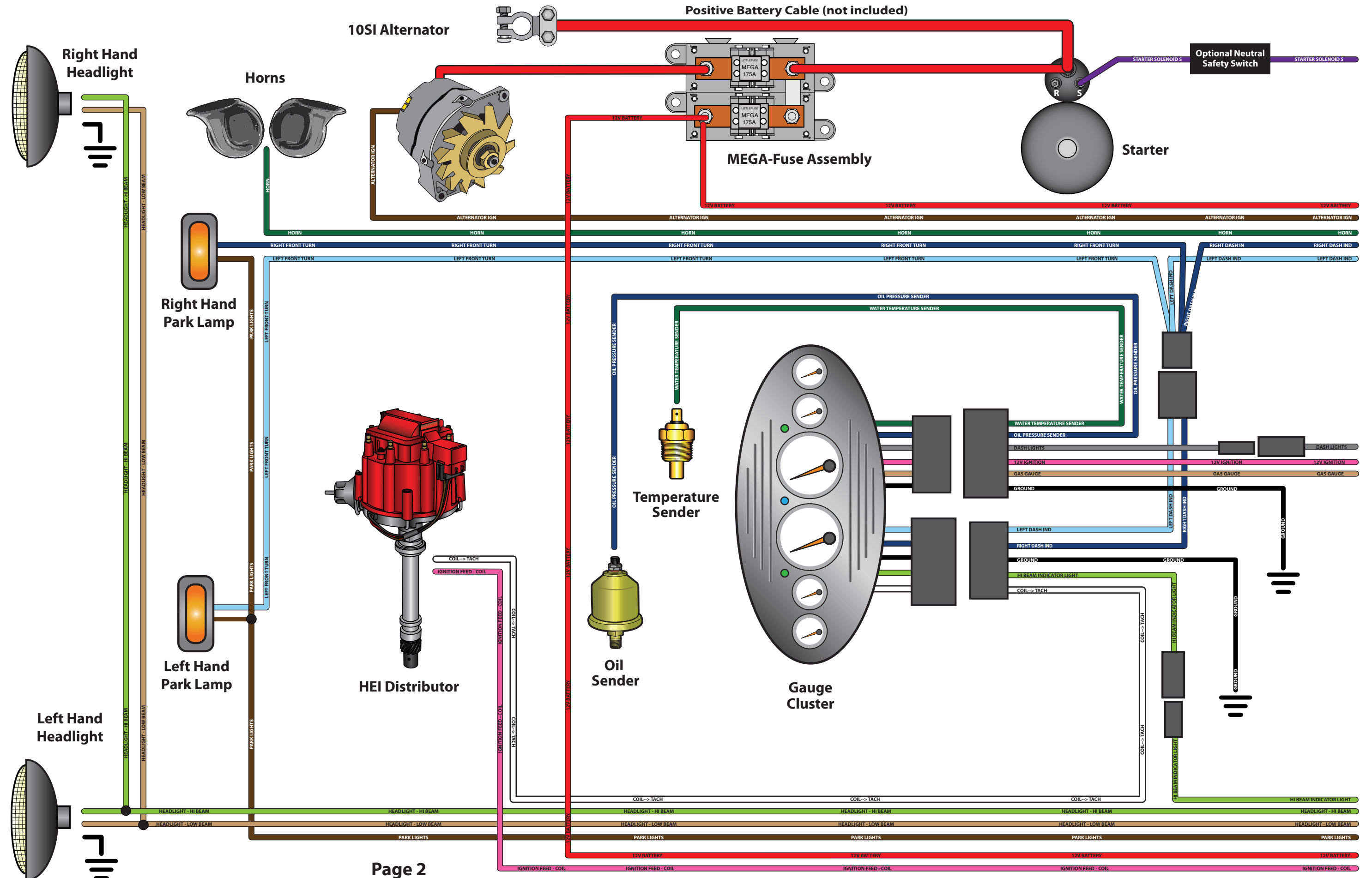
**AND MUCH MORE!**

### OPTIONAL ACCESSORY KITS

Battery cables		Call or visit <a href="http://www.americanautowire.com">www.americanautowire.com</a>
Brake Switch	p/n 500097	Button type, 2 blade contact to operate brake lights
Brake Switch	p/n 500145	Button type, 4 blade contact to operate brake lights and cruise
Brake Switch	p/n 500098	Lever type, water resistant
Brake Switch	p/n 500240	Adjustable lever design, water resistant
Courtesy Light Kit	p/n 500081	Under dash lighting harness complete with lamp sockets
Universal 40 amp Relay Kit	p/n 500479	Complete kit wired with relay and fuse.
Fan Temperature switch	p/n 500493	On at 210 deg, off at 195 deg. Used with 500067 Fan relay kit.
Fan Temperature switch	p/n 500491	On at 195 deg, off at 180 deg. Used with 500067 Fan relay kit.
Fan Temperature switch	p/n 500492	On at 180 deg, off at 160 deg. Used with 500067 Fan relay kit.
Grounding kit - Full vehicle	p/n 500717	Complete vehicle grounding system customizable to any vehicle.
Grounding / Splice kit	p/n 500544	Complete 12 to 1 splice kit for grounding or power connection.
Heater Switch	p/n 500144	3 position heater switch
L.E.D. indicator lights		Amber, blue, green, and red in both 5/32" and 1/4" sizes.
Master Disconnect switch	p/n 500003	Master battery disconnect
Universal Relay Kit - Waterproof	p/n 500093	Use for any heavy duty application requiring a relay.
Wiper Switch	p/n 500146	Two speed switch for wiper.
Ground Strap	p/n 500350	12" with 3/8" mounting holes
Ground Strap	p/n 500656	18" with 3/8" mounting holes
11 Volt Warning Module	p/n 510287	For use with one wire alternators using an indicator light.

**THIS KIT DOES NOT SUPPORT STOCK (ORIGINAL) GENERATORS. THE DESIGN OF THE KIT IS DESIGNED TO SUPPLY MORE POWER THAN THE GENERATOR IS ABLE TO SUPPLY.**





10SI Alternator

Positive Battery Cable (not included)

MEGA-Fuse Assembly

Starter

Optional Neutral Safety Switch

Horns

Right Hand Park Lamp

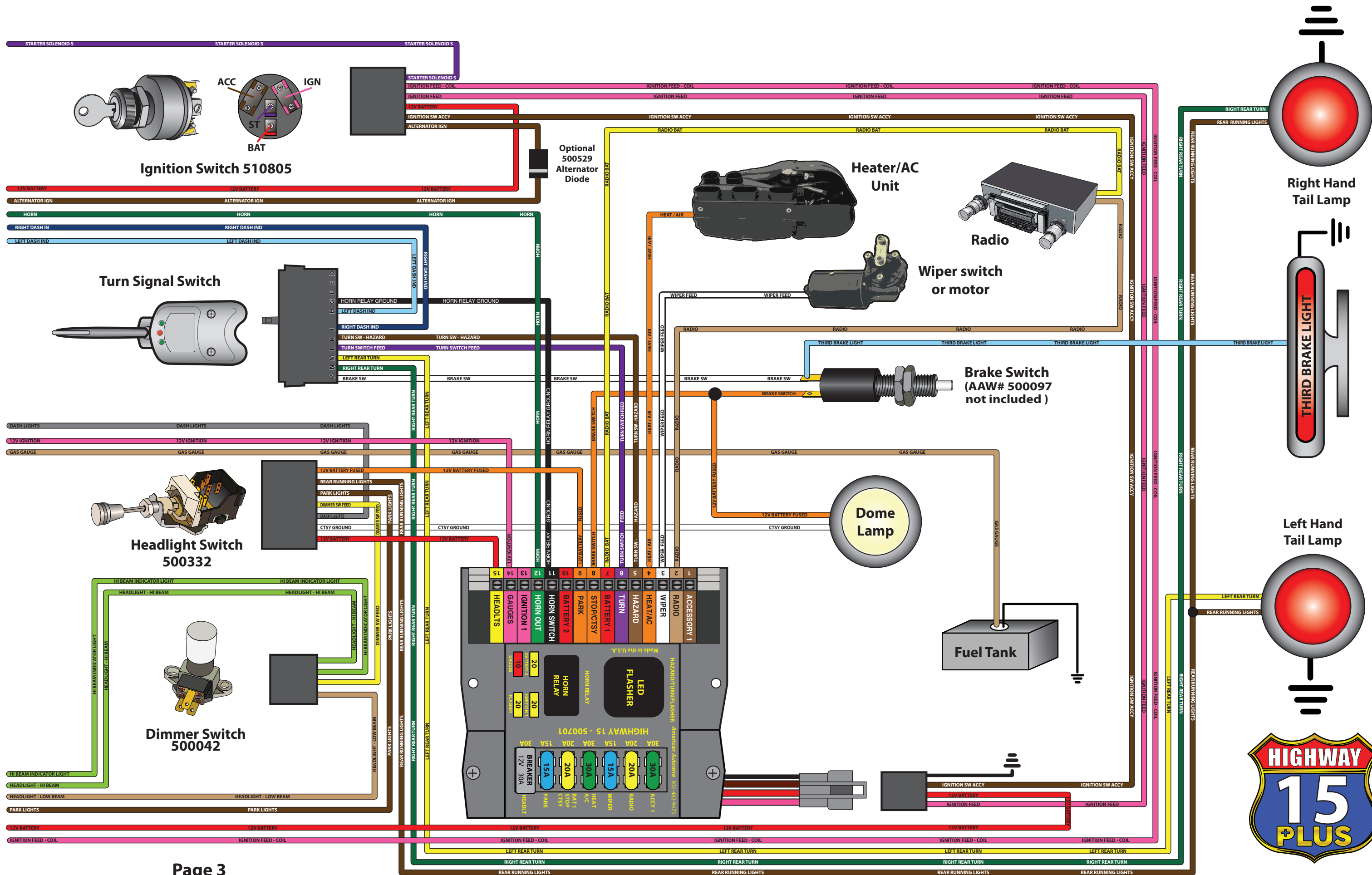
Left Hand Park Lamp

HEI Distributor

Temperature Sender

Oil Sender

Gauge Cluster





# Additional Accessories



**510643**  
**Terminal Kit**

We've included the most common terminals and connectors that will help you with troubleshooting, repairing, or replacing connections. All contents are compartmentalized in a durable case with a heavy duty latching closure. The inside of the lid has a diagram detailing the contents by image and description.



**510451**  
**Weather Pack Kit**

This 429 piece weather pack kit provides you with plenty of connection options that will help you with troubleshooting, repairing, or replacing connections. All contents are compartmentalized in a durable case with a heavy duty latching closure. The inside of the lid has a diagram detailing the contents by image and description.



**500834**  
**Remote Master Disconnect Switch**

Control your battery disconnect with a small remote mounted switch. Can be used with remote control modules. SPST latching solenoid with two 5/16" studs. Rated at 110 amps continuous.



**510587**  
**Wire Crimpers**

The single crimper is used for wire sizes ranging from 14 to 20 gauge, and the double crimper is used for sizes from 10 to 18 gauge, or terminals receiving a two wire connection.



**510287**  
**Volt Module**

The 11 volt module can be used to trigger an in-dash warning light when charging system voltage drops below 11 volts. This makes it the perfect solution to control a dash indicator light when installing a one-wire alternator, or simply as piece of mind in addition to a voltmeter.



**500097**  
**Brake Switch**

Pedal mounted brake switch. Universal fit. Comes complete with connectors and terminals. Many different styles available in our catalog.



**500081**  
**Courtesy Kit**

For connecting two under dash lamps to headlight switch & door switches. Has sockets w/ mounting brackets & terminals for bullet, blade, or screw type door switches.



**500350 - 12"**  
**500656 - 18"**  
**Ground Straps**

Medium duty ground straps are 100% tinned copper. Both sizes have a 3/8" hole on both ends.



**500717**  
**All Copper Grounding Kit**

Copper Grounding Kit eliminates the frame rail as a conductor a by using three grounding boxes connected by 6 gauge copper cables. The ground "loop" attaches to your existing negative battery cable to make for a solid, continuous connection. Includes 20 coils of pre-labeled wire, terminal lugs and a 6 gauge crimping tool.