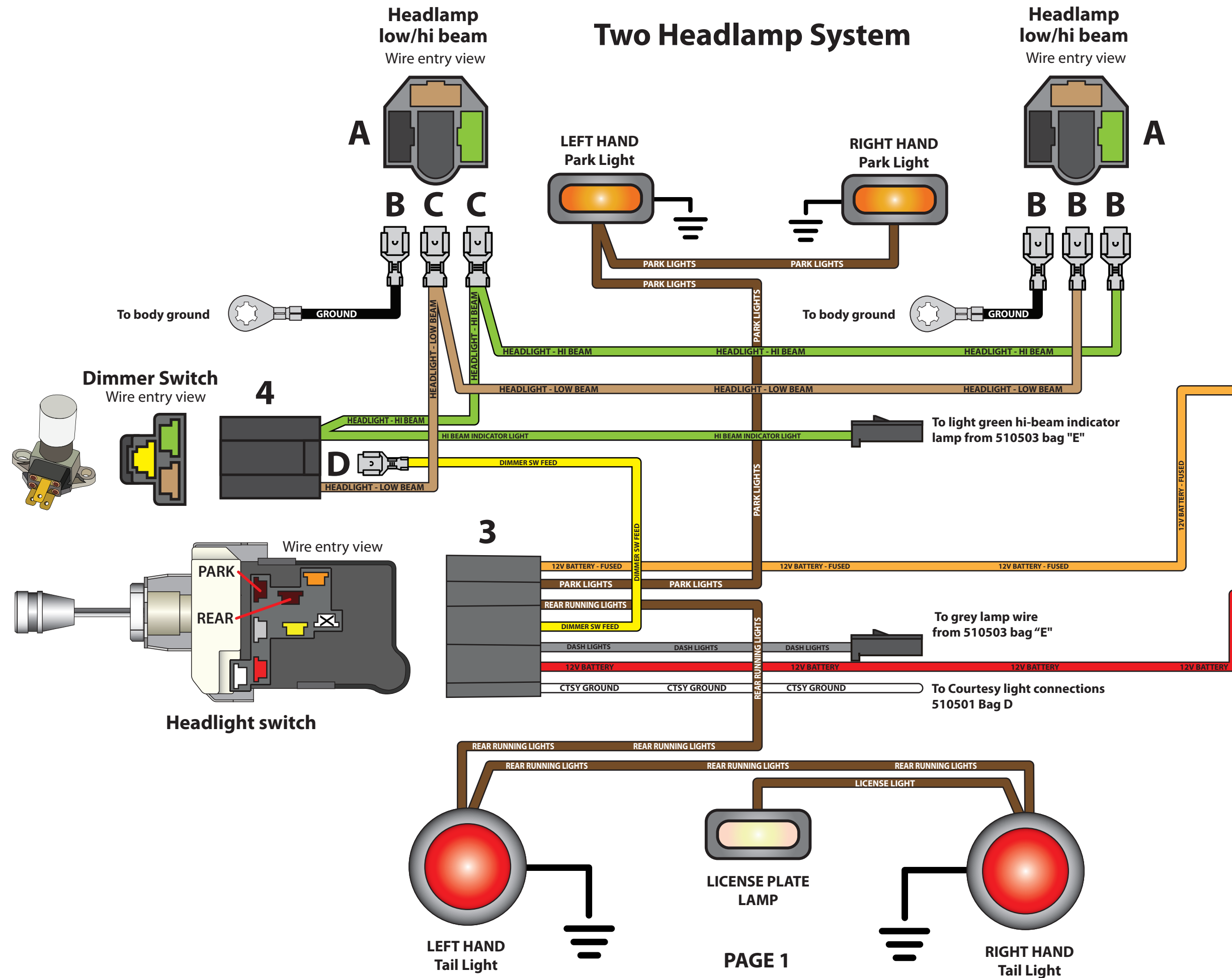
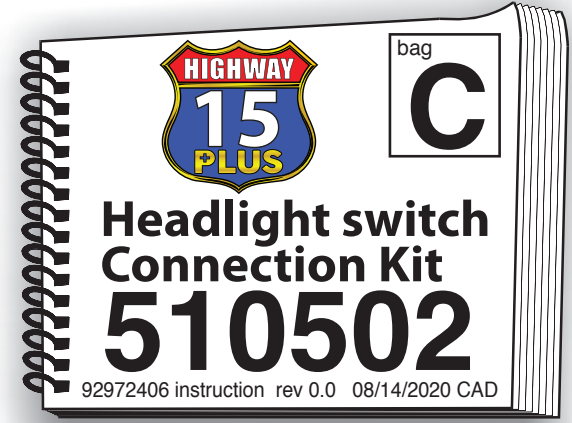


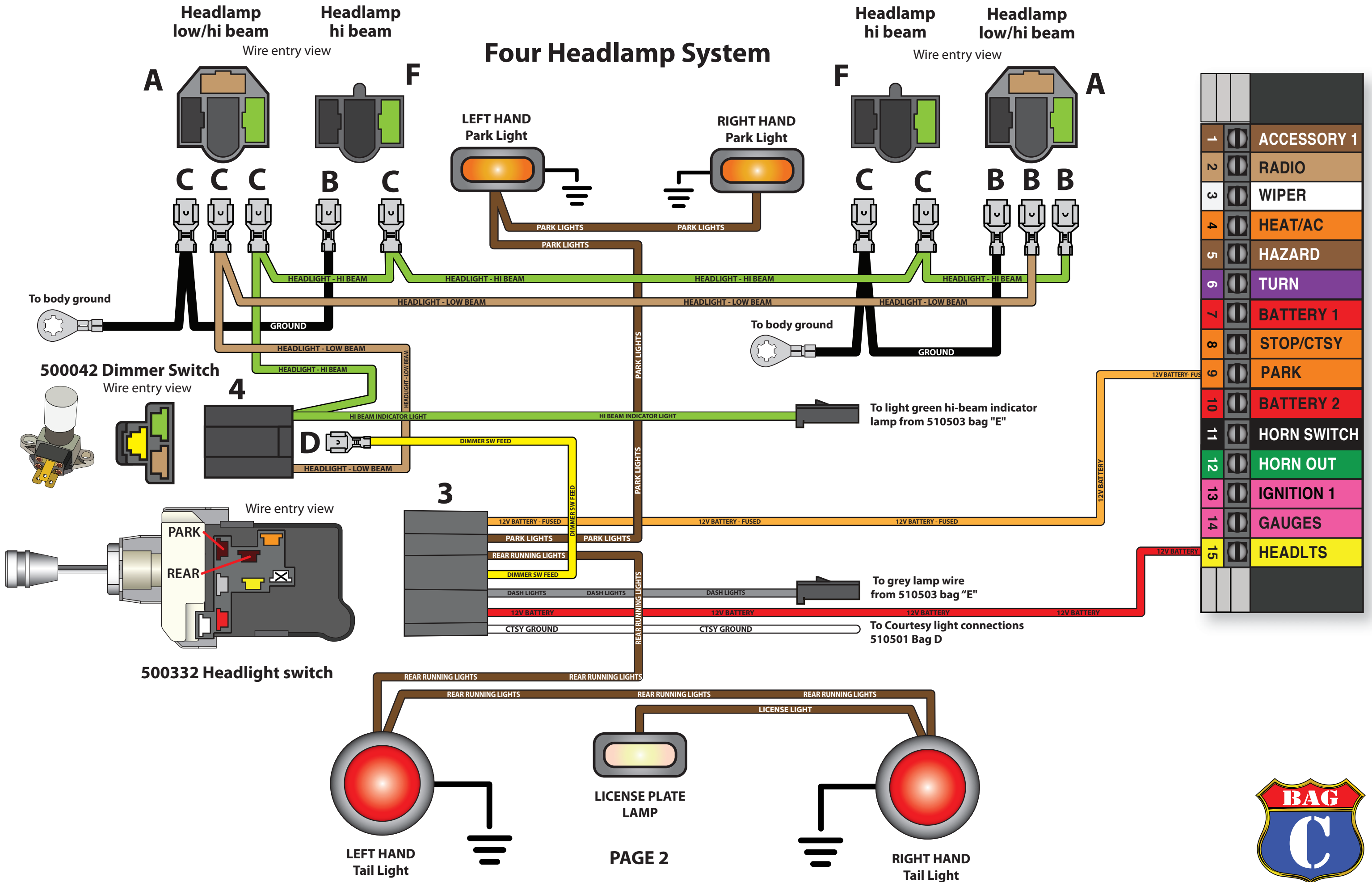
Two Headlamp System



1	ACCESSORY 1
2	RADIO
3	WIPER
4	HEAT/AC
5	HAZARD
6	TURN
7	BATTERY 1
8	STOP/CTSY
9	PARK
10	BATTERY 2
11	HORN SWITCH
12	HORN OUT
13	IGNITION 1
14	GAUGES
15	HEADLTS



Four Headlamp System



1	ACCESSORY 1
2	RADIO
3	WIPER
4	HEAT/AC
5	HAZARD
6	TURN
7	BATTERY 1
8	STOP/CTSY
9	PARK
10	BATTERY 2
11	HORN SWITCH
12	HORN OUT
13	IGNITION 1
14	GAUGES
15	HEADLTS



INSTALLATION INSTRUCTIONS:

WIRE COLOR

CIRCUIT

INSTALLATION

HEADLIGHT SWITCH CONNECTOR #3

WHITE CTSY GROUND

BROWN PARK LIGHTS

BROWN REAR RUNNING LIGHTS

RED 12V BATTERY

YELLOW DIMMER SW FEED

ORANGE 12V BATTERY FUSED

GRAY DASH LIGHTS

Plug this connector into the headlight switch

This is the ground wire for the interior lighting. This wire becomes grounded when the supplied headlight switch is turned counter clockwise by the knob until it reaches the end of its travel. The headlight switch body must be grounded for this to operate. **See examples of interior lighting connections in 510501 BAG D**

Route the brown park light wire from the headlight switch connector #3 to one of the front parking lights. Cut this wire to length. Double this wire with the cut off portion and connect to the parking light. Route this cut off wire to the other parking light and connect to it. Universal light socket button terminals "E" are provided for those light sockets using this type of contact terminal. **See "DETAIL A" at the bottom of this page**

Route the brown rear running lights wire from the headlight switch connector #3 to one of the rear tail lights. Cut this wire to length. Double this wire with the cut off portion and connect to the rear tail light. Route this cut off wire to the other tail light. Do not connect to that light yet as you will be doubling this wire with the license lamp wire below. Universal light socket button terminals "E" are provided for those light sockets using this type of contact terminal. **See "DETAIL A" at the bottom of this page**

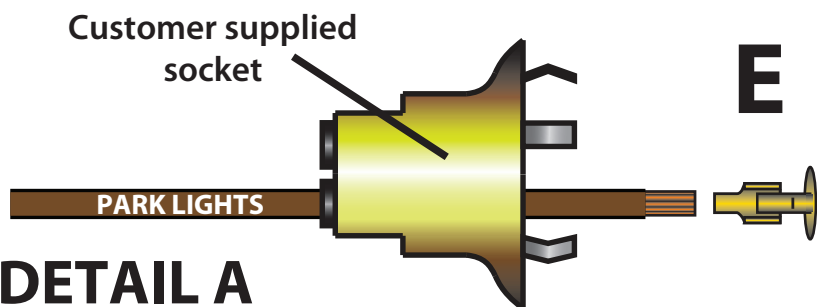
Route the red wire to the fuse panel and install in the "HEADLIGHTS" location.

Route the yellow wire to the dimmer switch connector #4. Cut to length, crimp terminal "D" onto the yellow wire and plug into location shown on page 1

Route the orange wire to the fuse panel and install in the "PARK " location.

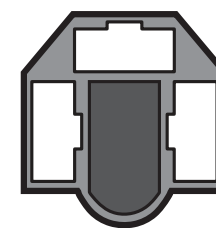
Connect the gray wire to the instrument lamps, as shown in 510503 kit, bag E.

Written instructions continued on page 4



DETAIL A

1. Pass wire through socket
2. Verify wire is in the low filament location
3. Crimp terminal to wire
4. Pull to seat terminal in socket



A



B



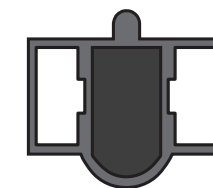
C



D



E



F



510501 BAG D
 510502 BAG E
 510503 BAG F
 510504 BAG G
 510505 BAG H
 510506 BAG I
 510507 BAG J
 510508 BAG K
 510509 BAG L
 510510 BAG M
 510511 BAG N
 510512 BAG O
 510513 BAG P
 510514 BAG Q
 510515 BAG R
 510516 BAG S
 510517 BAG T
 510518 BAG U
 510519 BAG V
 510520 BAG W
 510521 BAG X
 510522 BAG Y
 510523 BAG Z

INSTALLATION INSTRUCTIONS:

WIRE COLOR

CIRCUIT

INSTALLATION

DIMMER SWITCH CONNECTOR #4

LT GREEN	HEADLIGHT - HI BEAM (HEAVY GAUGE)	Plug this connector into the dimmer switch Route the thicker light green wire from the dimmer switch to one headlight. Cut this wire to length. Double this wire with the cut off portion using terminal "C" and plug into the headlight connector "A" in the location shown on page 1. Route the cut off wire to the other headlight, install terminal "B" and plug into the other headlight connector "A" as shown on page 1.
LT GREEN	HI BEAM INDICATOR LIGHT (THIN GAUGE)	Connect the thinner light green wire to the high beam indicator lamp connection from kit 510503, bag "E".
TAN	HEADLIGHT - LOW BEAM	Route the tan wire from the dimmer switch to one headlight. Cut this wire to length. Double this wire with the cut off portion using terminal "C" and plug into the headlight connector "A" in the location shown on page 1. Route the cut off wire to the other headlight, install terminal "B" and plug into the other headlight connector "A" as shown on page 1.
LOOSE WIRES		
BROWN	LICENSE PLATE LIGHT	Double the brown license plate light wire with the brown rear running lamp wire from page 3 at the rear tail light connection and connect to that tail light. Route the other end of this wire to the license plate light connection.
BLACK	GROUND	Using the supplied single headlight connector terminal "B", install one end of the wire into the headlight "A" connector in the location shown on page 1. Install one of the supplied ring terminals to the other end and connect to a good chassis ground. Repeat the same connection for the other headlight.

Suggested Items



510587 - Wire Crimpers

The single crimper is used for wire sizes ranging from 14 to 20 gauge, and the double crimper is used for sizes from 10 to 18 gauge, or terminals receiving a two wire connection.



500403 - Headlight Enhancement Relay Kit

Allows connection of higher demand headlights such as Halogen or LED. Sends direct battery power to bulbs and takes the load off of the headlight switch.



500350 - 12" 500656 - 18" Ground Straps

Medium duty ground straps are 100% tinned copper. Both sizes have a 3/8" hole on both ends.

