

1984-86 Ford F-Series and Bronco Optional AC Overlay Harness

NOTE: All 1984-86 F Series trucks and Broncos used the same connections at the heater/AC control head. Directions and a photo of those connections can be found on page 2 of this instruction set. Found on this page are any necessary harnesses, harness extensions, connectors and terminals needed to complete your installation. This optional kit must be used in conjunction with our 510724, 1980-86 Ford F100-350 and Ford Bronco Classic Update kit. It is not intended to be used as a substitute for the original Ford AC harness. The AC Mode switch assembly is located on the back of the heater/AC control head in the center of the dash. Please use the detailed directions on this page as well as the notes and drawings on page 2 of this instruction set to install your new AAW AC overlay harness.

Directions:

1. Plug the 4-position 1984 - 86 AC Mode Switch Jumper "A" onto the AC Mode switch assembly located on the back of the heater/AC control head. The double brown, orange and green wires will plug onto your main dash harness, 510725. The dash harness has white mating connectors on the two brown wires that will plug into the orange and double brown leads that are part of jumper A. Located at the same location on the dash harness is a green wire with a male bullet terminal and a rubber sleeve that will plug into the green wire with the female bullet terminal and rubber sleeve that is part of jumper A.

2. "Item B", the AC Dash Harness Extension plugs onto the main dash harness, 510725, behind the glove area down near the floor. The dash side lead has the mating connector with dark green and black wires in it. After plugging extension B onto the dash harness, route it out through the RH engine bay wiring grommet into the engine bay. "Item C", the AC Thermostat Switch and Clutch Feed Jumper with the beige connector will plug into 2-position connector on "Item B" with the green and black wires. The single black wire on "Item B" plugs onto the blower motor resistor.

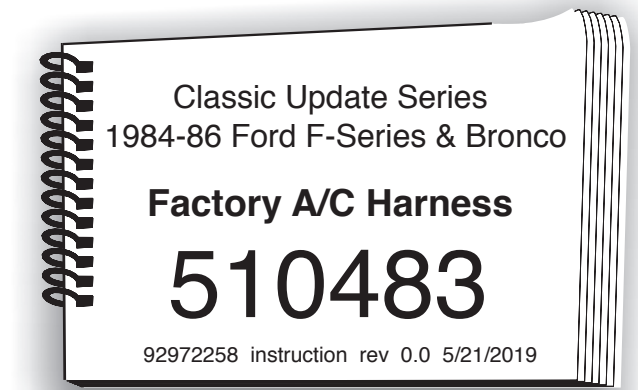
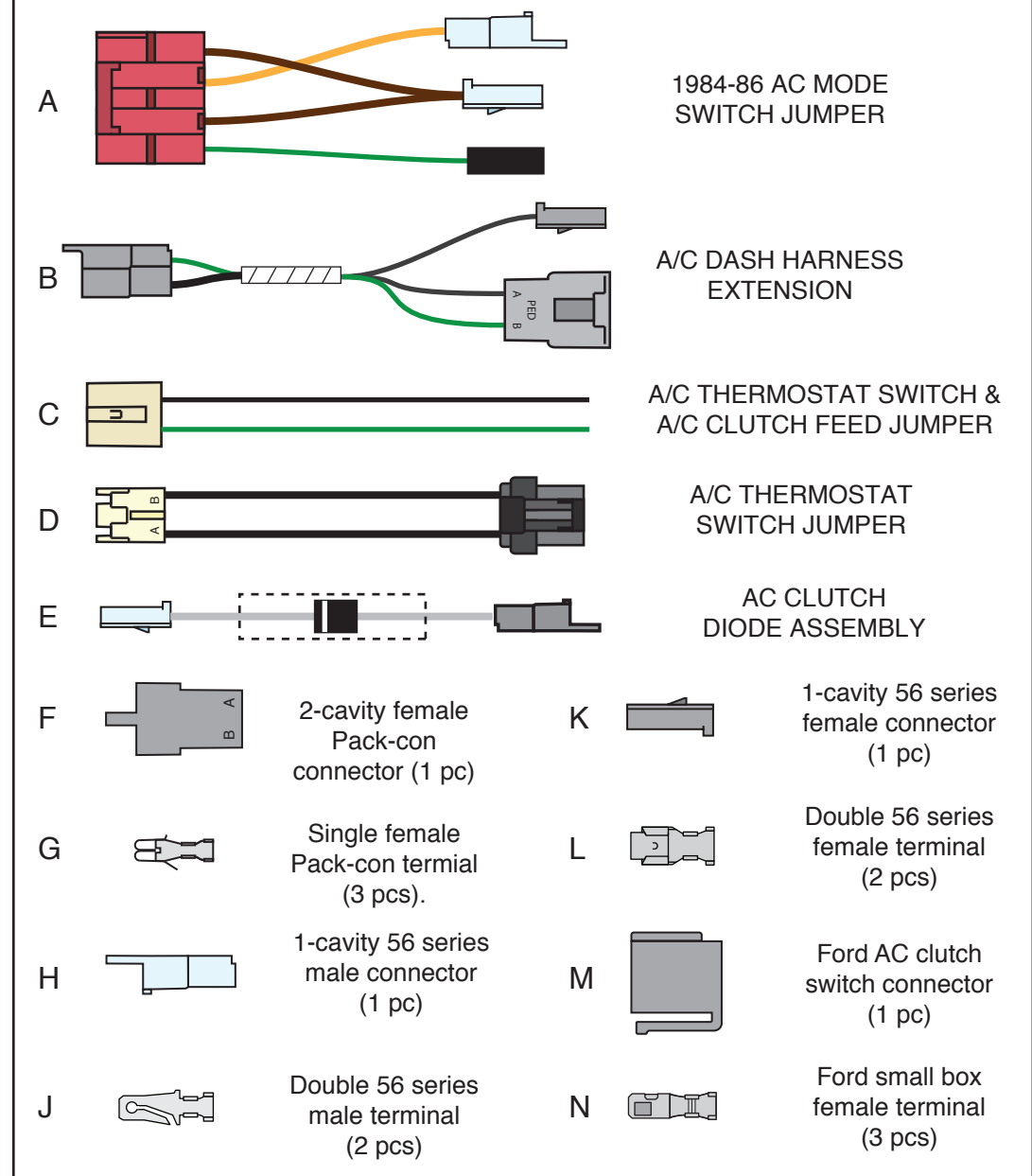
3. **All 1984 - 86 applications:** Route the dark green wire on "Item C" over to the AC thermostat area, cut it to length, crimp on terminal "G" and plug into connector "F" as shown on page 2. Take the cut-off portion of the dark green wire, crimp on terminal "G" and plug into open cavity of connector "F". Route the loose end of the dark green wire over to the compressor area, cut it to length, double it with the cut-off portion in terminal "J", and plug it into connector "H" as shown on page 2. Route the loose end of the cut-off portion of the dark green wire to the compressor, cut it to length, crimp on terminal "N" and plug it into connector "M" as shown on page 2. Route the black wire on "Item C" over to the compressor area, cut it to length, double it with the cut-off portion in terminal "L", and plug it into connector "K" as shown on page 2. Route the loose end of the cut-off portion of the black wire over to the compressor, cut it to length, crimp on terminal "N" and plug it into connector "M" as shown on page 2.

4. Plug "Item E" into the white male connector "H" and black female connector "K".

5. Plug the AC Thermostat Switch Jumper "D" into connector "F".

6. Plug connector "M" onto the AC Clutch to complete your installation.

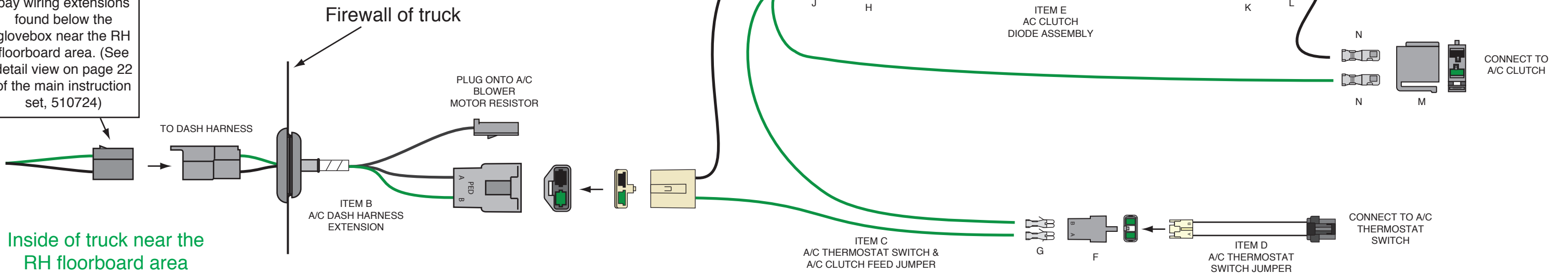
The kit consists of the following:



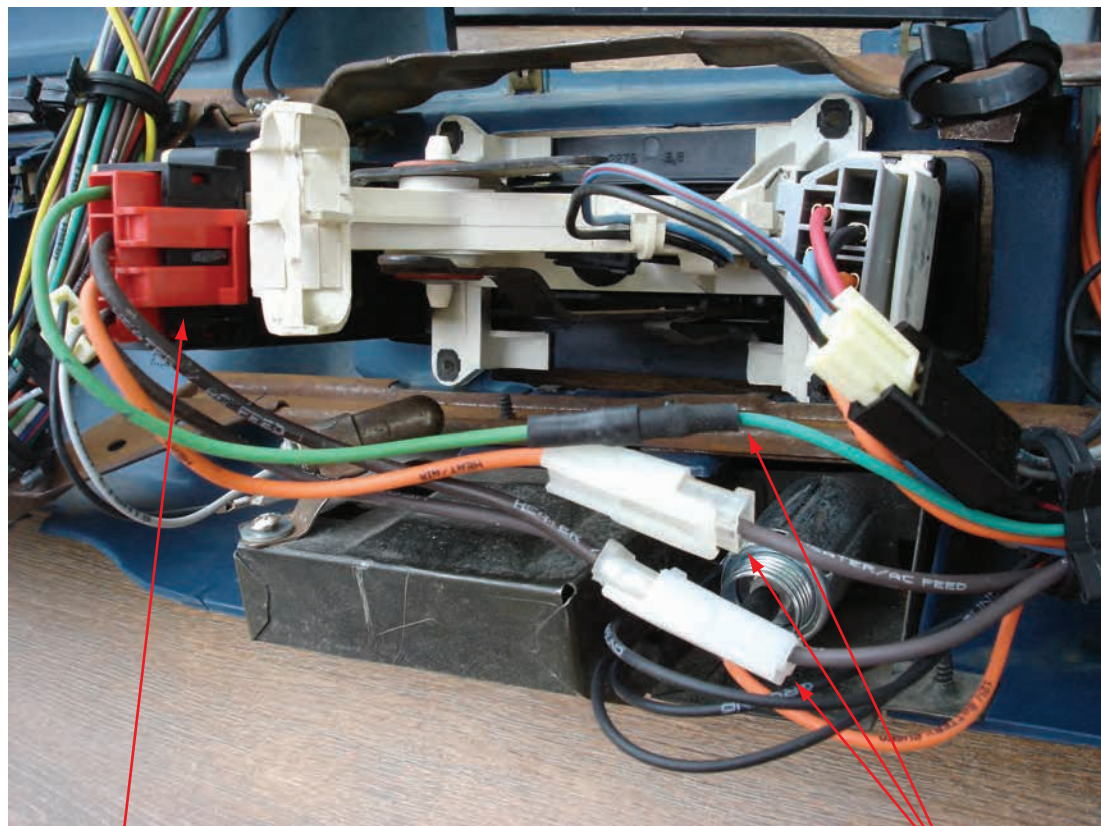
This lead is located with the RH engine bay wiring extensions found below the glovebox near the RH floorboard area. (See detail view on page 22 of the main instruction set, 510724)

Outside of truck in the RH engine bay

NOTE: Mount diode assembly close to the compressor and keep it away from any moving parts.



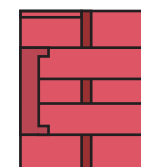
Inside of truck near the RH floorboard area



Inside of truck at the heater/AC control area

These 3 dash leads are located near the heater/AC control panel beneath the radio in the lower center dash area

PLUG ONTO AC MODE SWITCH AT THE HEATER/AC CONTROL ON THE DASH



ITEM A
1984-86 AC MODE SWITCH JUMPER



American Autowire

www.americanautowire.com 856-933-0801

Classic Update Series
1984-86 Ford F-Series & Bronco

Factory A/C Harness

510483

92972258 instruction rev 0.0 5/21/2019