

In this kit you will find the following:

1. Two Firewall grommets, for the square and round firewall pass thru openings.
2. Misc. connectors and terminals to complete the Engine Compartment and Passenger Compartment connections.
3. Two Door Jamb Switches, for the Interior Lighting.

Use these parts to complete the connections from the Main Dash Harness **510179** to the various components in the Engine Compartment and the Passenger Compartment (see Instructions **92969421**).

The **1969-70 Ford Mustang** has two wiring pass-thru holes in the Firewall. The larger grommet will be used to line the square hole, where the stock 1969 bulkhead connector entered the engine compartment. The smaller grommet will be used to line the round engine harness hole, located in the upper center of the firewall. These two firewall grommets must be installed, prior to passing the new wiring thru.

PART #

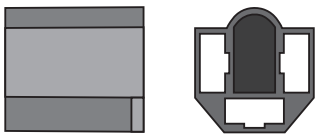
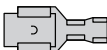
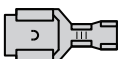



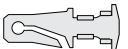




510181




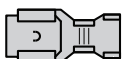


DESCRIPTION:

Grommet and Parts Kit
1969-70 Mustang
Classic Update Series

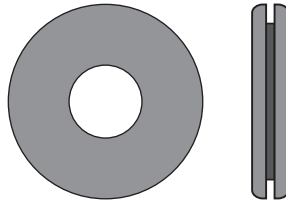
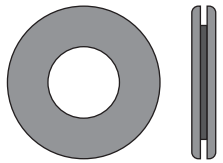
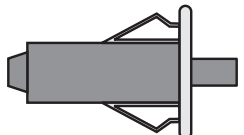
92969431 Rev 2.0 8/27/2019

In the box below, you will find the legend for the misc. terminals, plastic connector bodies, and the main firewall grommets that will be used to complete your main power, forward lighting, engine, and alternator connections. They are itemized and referred to on this page just as they are on pages 7 and 8 of the Main instruction set (92969421).

- A  (59 series 3-way female connector, 2 pcs.)
- B  (smaller 56 series single female terminal, 11 pcs.)
- C  (larger 59 series single female terminal, 6 pcs.)
- F  (56 series 2-way female connector, 2 pcs.)
- G  (side-marker, 2 pcs.)
- H  (56 series 2-way male connector, 2 pcs.)
- J  (56 series single male terminal, 5 pcs.)
- K  (double female terminal, wedge base, 2 pcs.)
- N  (small ring terminal for smaller gauge wire, 3 pcs.)
- P  (56 series single female conn. with notch, 3 pcs.)
- R  (rubber sleeve, 2 pcs.)

- T  (59 series 2-way female connector, 2 pcs.)
- U  (small ring terminal for larger gauge wire, 2 pcs.)
- V  (headlight ground, 2 pcs.)
- W  (larger 59 series double female terminal, 8 pcs.)
- X  (single female terminal, wedge base, 2 pcs.)
- Y  (56 series double male terminal, 3 pcs.)

Also included, but not shown on pages 10 or 11:

-  (larger firewall grommet; for square pass-thru hole, 1 pc.)
-  (smaller firewall grommet; for round pass-thru hole, 1 pc.)
-  (door jamb switch, 2 pcs.)