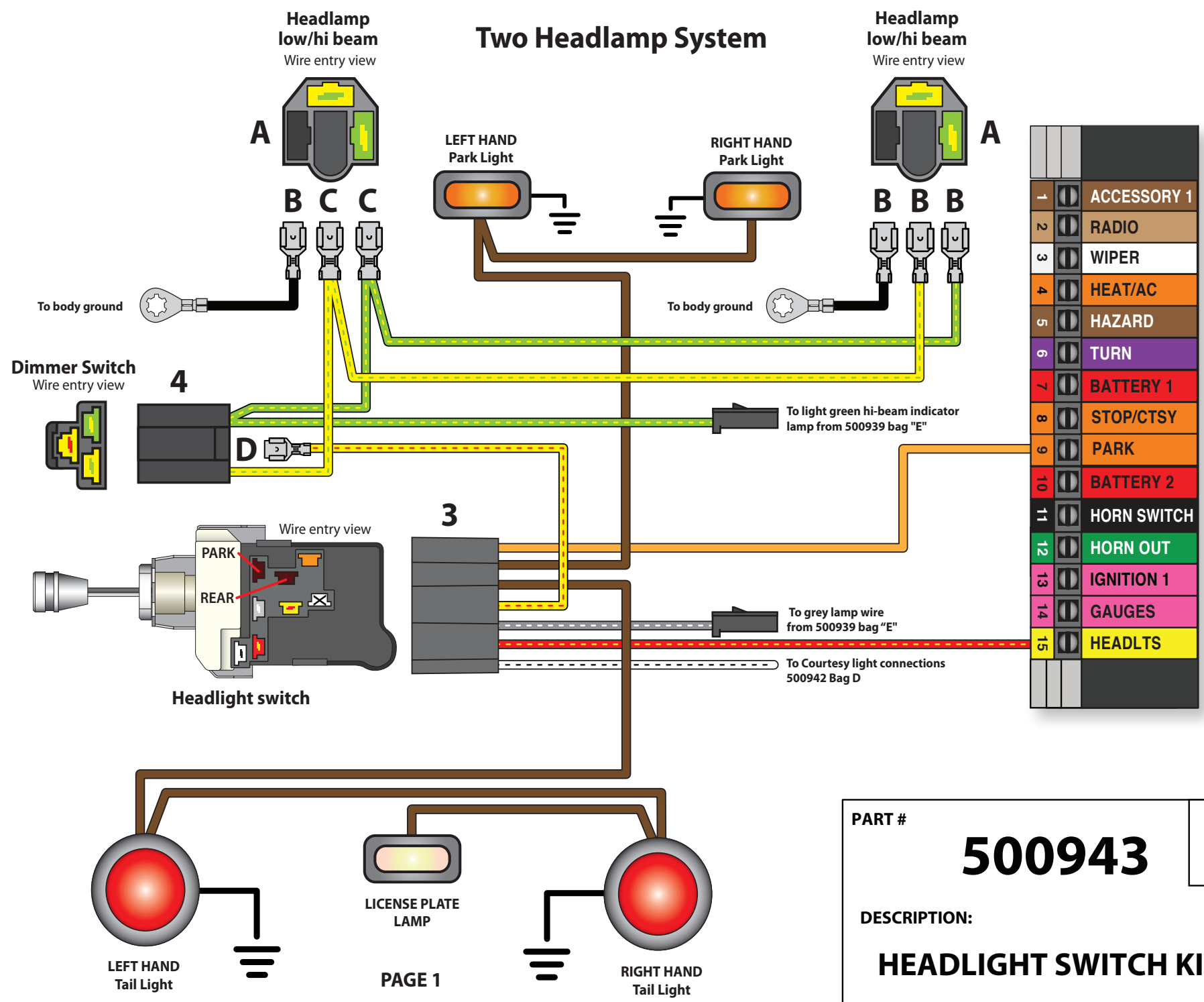


Two Headlamp System



PART # **500943** **C**

DESCRIPTION:
HEADLIGHT SWITCH KIT

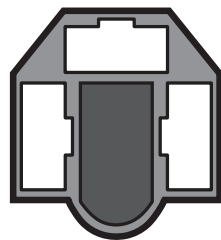
92968066 instruction sheet Rev 1.0 12/8/2020

INSTALLATION INSTRUCTIONS:

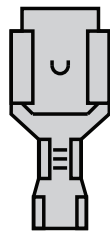
<u>WIRE COLOR</u>	<u>CIRCUIT</u>	<u>INSTALLATION PROCEDURE</u>
WHITE/BLACK	DOME/CTSY LT GROUND	Route this wire to your dome light assembly and door jamb switches. This is a ground wire which activates interior lights. If dome or courtesy lights are not being used, remove this wire from the headlight switch connector.
BROWN	PARKING LAMP FEED	Route this wire from the headlight switch connector #3 to one of the front parking lights. Cut this wire to length. Double this wire with the cut cut off portion and route the loose end to the other parking light. Universal light socket button terminals "E" are provided for those light sockets using this type of contact terminal.
BROWN	REAR RUNNING LIGHT	Route this wire from the headlight switch connector #3 to one of the rear tail lights. Cut this wire to length. Double this wire with the cut cut off portion and route the loose end to the other rear tail light. Universal light socket button terminals "E" are provided for those light sockets using this type of contact terminal.
BROWN	LICENSE PLATE LIGHT	Splice in or double this loose piece wire with the single "BROWN" wire at the rear tail light connection from above. Route the other (loose) end of this wire to the license plate light connection.
RED/YELLOW	BAT FEED TO HEADLIGHT SWITCH	Route this wire to the fuse panel and install in the "HEADLTS" location.
YELLOW/RED	DIMMER SWITCH FEED	Route this wire to your dimmer switch connector #4. Cut to length, install terminal "D", and plug into the location shown on page 1.
ORANGE GRAY/WHITE	PARK LIGHT 12V FEED INSTRUMENT LAMP FEED	Route this wire to the fuse panel and install in the "PARK LTS" location. Connect this wire to the instrument lamps, as shown in 500939 kit, bag "E".

DIMMER SWITCH CONNECTOR #4 Plug this connector into your dimmer switch.

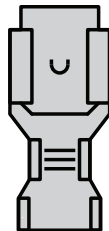
GREEN/YELLOW (heavy gauge)	HI BEAM	Route this wire from your dimmer switch to one headlight. Cut this wire to length, double this wire with the cut off portion using terminal "C" and plug into the headlight connector "A" in the location shown on page 1. Route the cut off wire to the other headlight, install terminal "B" and plug into the headlight connector "A" in the location shown on page 1.
GREEN/YELLOW (thin gauge)	HI BEAM INDICATOR LIGHT	Connect this wire to the high beam indicator lamp connection from 500939 bag "E".
YELLOW/GREEN	LO BEAM	Route this wire from your dimmer switch to one headlight. Cut this wire to length and double this wire with the cut off portion, using terminal "C" and plug into connector "A" in the location shown on page 1. Route the cut off wire to the other headlight, install the supplied terminal "B" and plug into the headlight connector in the location shown on page 1.
BLACK WIRES	HEADLIGHT GROUNDS	Attach a ring terminal and loose black wire assembly to a good ground. Route the other end of the wire to the headlight assembly, cut to length, and install single terminal "B" and plug into connector "A" in the location shown on page 1. Repeat this process for the opposite headlight assembly.



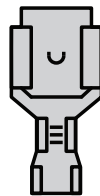
A



B



C



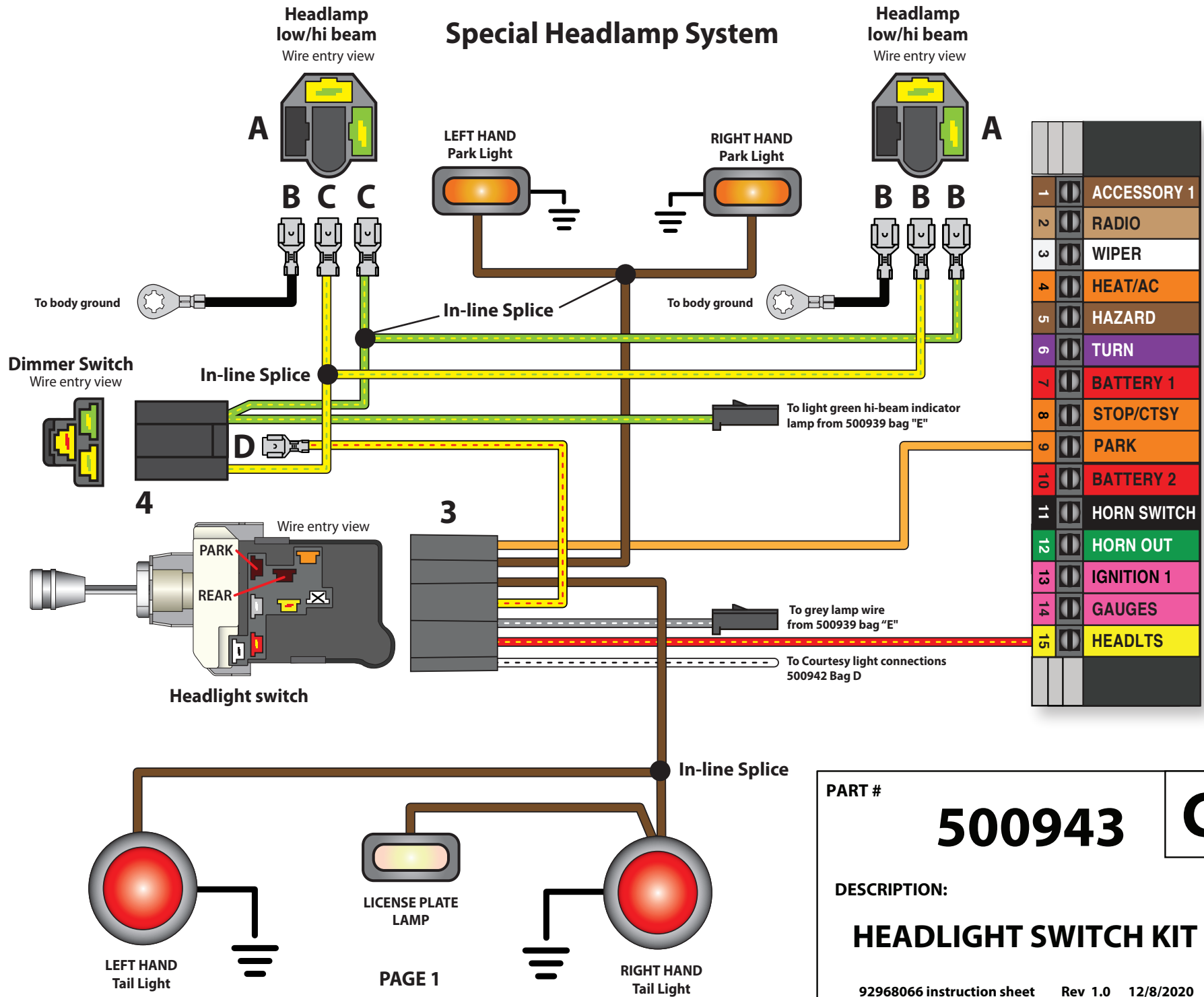
D

SEE PAGE 4
FOR INSTALLATION



E

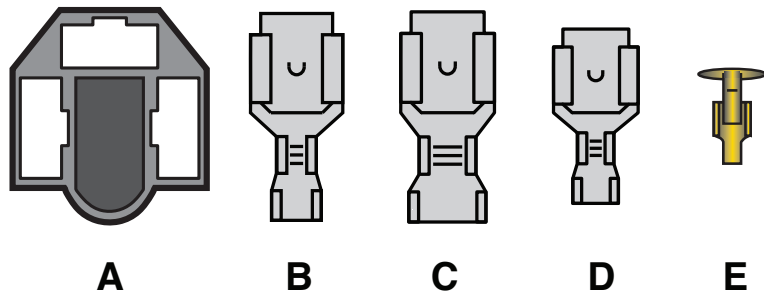
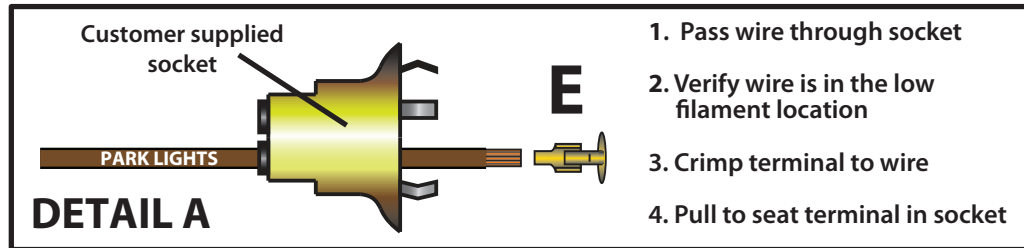
PART #	500943	C
DESCRIPTION:	HEADLIGHT SWITCH KIT	
92968066 instruction sheet Rev 1.0 12/8/2020		



INSTALLATION INSTRUCTIONS:

The connections to the front end of open roadster cars with exposed headlights and parking / directional lights do not follow the installation procedure explained on Page 2. The following alternative installation procedure can be used for these vehicles.

WIRE COLOR	CIRCUIT	INSTALLATION PROCEDURE
BROWN	PARK/TAIL	Route this wire from your headlight switch to the left hand parking light assembly. Cut this wire to length and install in the parking light assembly. Take the remaining wire and route it to the right hand parking light assembly. Cut to length and install in the right hand parking light assembly. Select a point under the dash where the parking light wires and the main lead from the headlight switch can be joined in an in-line splice.
GREEN/YELLOW (heavy gauge)	HI BEAM	Route this wire from your dimmer switch to the left hand headlight connector. Cut this wire to length, install a single wire terminal "B" and plug into the headlight connector "A" in the location shown on page 1. Take the remaining wire, install a single wire terminal "B" and plug into the right hand headlight connector "A" as shown on page 1. Select a point under the dash where the headlight wires can be joined in an in-line splice. This point can be at the dimmer switch connection or at a convenient point before the final connection to the dimmer switch.
YELLOW/GREEN	LO BEAM	Route this wire from your dimmer switch to the left hand headlight connector. Cut this wire to length, install a single wire terminal "B" and plug into the headlight connector "A" in the location shown on page 1. Take the remaining wire, install a single wire terminal "B" and plug into the right hand headlight connector "A" as shown on page 1. Select a point under the dash where the headlight wires can be joined in an in-line splice. This point can be at the dimmer switch connection or at a convenient point before the final connection to the dimmer switch.
BLACK WIRES	HEADLIGHT GROUNDS	Attach a ring terminal and loose black wire assembly to a good ground. Route the other end of the wire to the headlight assembly, cut to length, and install single terminal "B" and plug into connector "A" in the location shown on page 1. Repeat this process for the opposite headlight assembly.



American Autowire

www.americanautowire.com 856-933-0801

PART #	500943	C
DESCRIPTION:	HEADLIGHT SWITCH KIT	
92968066 instruction sheet Rev 1.0 12/8/2020		