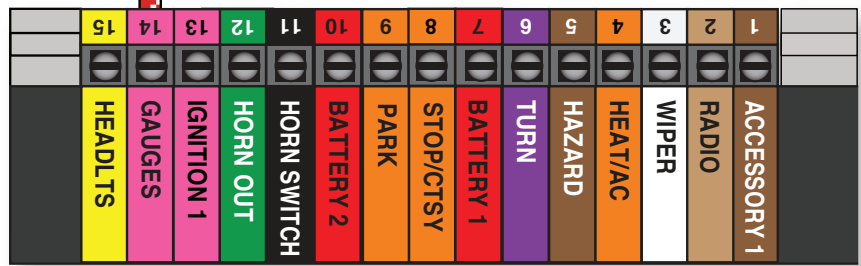
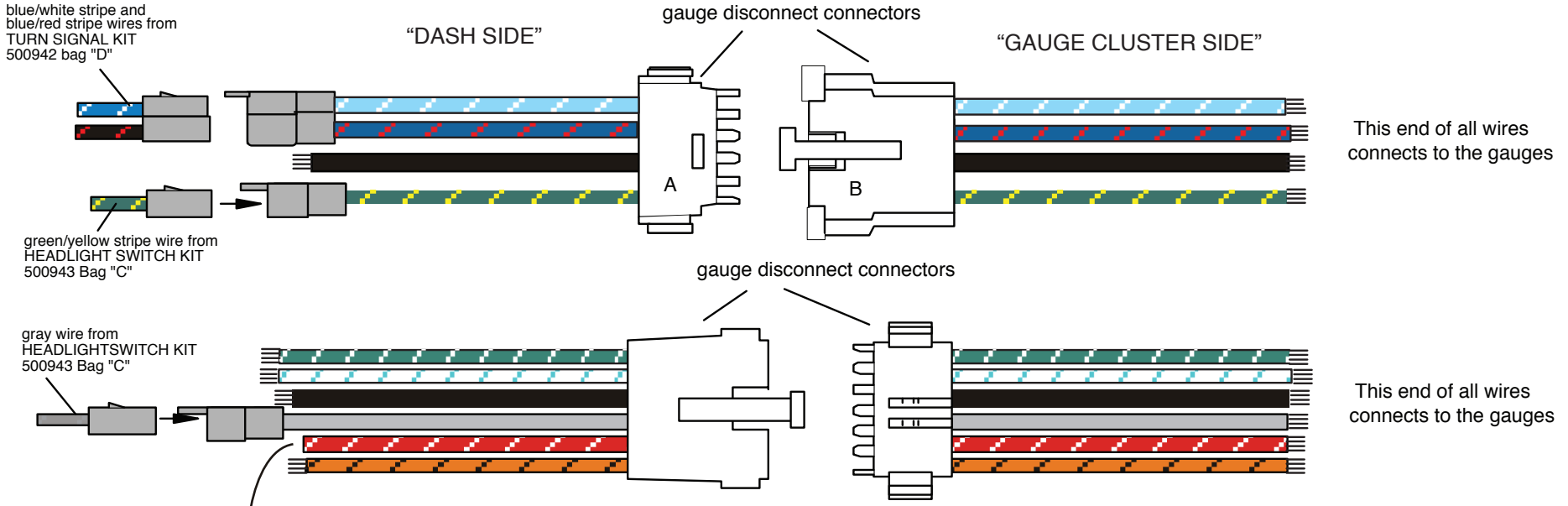


PLEASE READ MANUFACTURER'S INSTRUCTIONS SHEETS FOR PROPER GAUGE WIRING
 SEE ENCLOSED GAUGE TERMINAL INSTRUCTIONS
 FOR TYPICAL GAUGE CONNECTIONS



www.americanautowire.com 856-933-0801

PART #	500939	E
DESCRIPTION:		
GAUGE CONNECTION KIT		
92968062 instruction sheet Rev 2.0 12/8/2020		

INSTALLATION INSTRUCTIONS

Gauge disconnect connectors are provided for ease of installing and removing the gauge cluster. Use terminal kit 92965220 for connection wires to gauges.

WIRE COLOR	CIRCUIT	INSTALLATION
ORANGE / BLACK	GAS GAUGE	Connect the cluster side wire to the fuel gauge on the negative (-) or sending unit post using supplied ring or blade type terminals. Connect the dash side wire to the fuel tank sending unit. Solder all connections.
WHITE / BLUE	OIL PRESSURE	Connect the cluster side wire to the oil pressure gauge on the negative (-) or sending unit post using supplied ring or blade type terminals. Connect the dash side wire to the oil sending unit. Solder all connections.
DARK GREEN / WHITE	WATER TEMP	Connect the cluster side wire to the temperature gauge on the negative (-) or sending unit post using supplied ring or blade type terminals. Connect the dash side wire to the temperature sending unit. Solder all connections.
BLACK (2)	GAUGE GROUNDS	Connect the cluster side wires to the "ground" posts on the gauges using supplied ring or blade type terminals. Connect the dash side wires to a good chassis ground using the supplied ring terminals. Solder all connections.
RED / WHITE	12V IGNITION	Connect the cluster side wire to the "12 V" posts on the gauges using supplied ring or blade type terminals. Connect the dash side wire to the "GAUGES" location of the fuse panel as shown on page 1.
BLUE / WHITE	LEFT DASH IND	Plug the 2 position connector into the mating connector from the Turn Signal Connection Kit. (Bag "D" - 500942).
BLUE / RED GRAY / WHITE	RIGHT DASH IND DASH LIGHTS	The loose end wires will connect to the turn signal indicator lamps (light blue=left turn, dark blue=right turn) Connect the cluster side wire to the gauge lamps using supplied ring or blade type terminals. Solder all connections. Connect the dash side single male connector on the gray wire to the mating gray wire from the Headlight Connection Kit. (Bag "C" - 500943).
LT GREEN /YELLOW	HIGH BEAM IND	Connect the cluster side wire to the high beam indicator lamp. Connect the dash side wire with the single connector on it to the mating light green wire from the Headlight Connection Kit. (Bag "C" - 500943).
PURPLE / YELLOW YELLOW / BLACK	VSS SIGNAL VSS GROUND	If you are using an electronic speedometer, use this wire for the vehicle speed sensor "SIGNAL" lead wire. The PURPLE/ YELLOW VSS SIGNAL wire is used for the sensor signal lead and the YELLOW/BLACK VSS GROUND wire is used as the ground. Each wire has a mating terminal to the other (same color) wire. Plug the female into an unused cavity in connector B. Plug the mating male into the mating cavity on connector A. Route the other ends to the speed sensor and speedometer, and connect per the manufacturer's instructions. It is suggested that the wires be twisted for the entire length of the routing to both the speed sensor and the speedometer. This may be necessary on some gauges to cancel extraneous signals that may affect the operation of the speedometer.
PURPLE / WHITE	VSS POWER	The PURPLE/WHITE VSS POWER wire is used for those VSS senders requiring power. Connect one end to the VSS and the other end to a 12 volt ignition source on the panel or the ignition switch.
WHITE / RED	TACHOMETER	Use only if you are installing a tachometer. Each wire has a mating terminal to the other (same color) wire. Plug the female into an unused cavity in connector B. Plug the mating male into the mating cavity on connector A. Connect the cluster side wire to the tachometer on the negative (-) or sending unit post using supplied ring or blade type terminals. Route the other end to the (-) side of the ignition coil. Solder all connections.

PART #	500939	E
DESCRIPTION:		
GAUGE CONNECTION KIT		
92968062 instruction sheet Rev 2.0 12/8/2020		