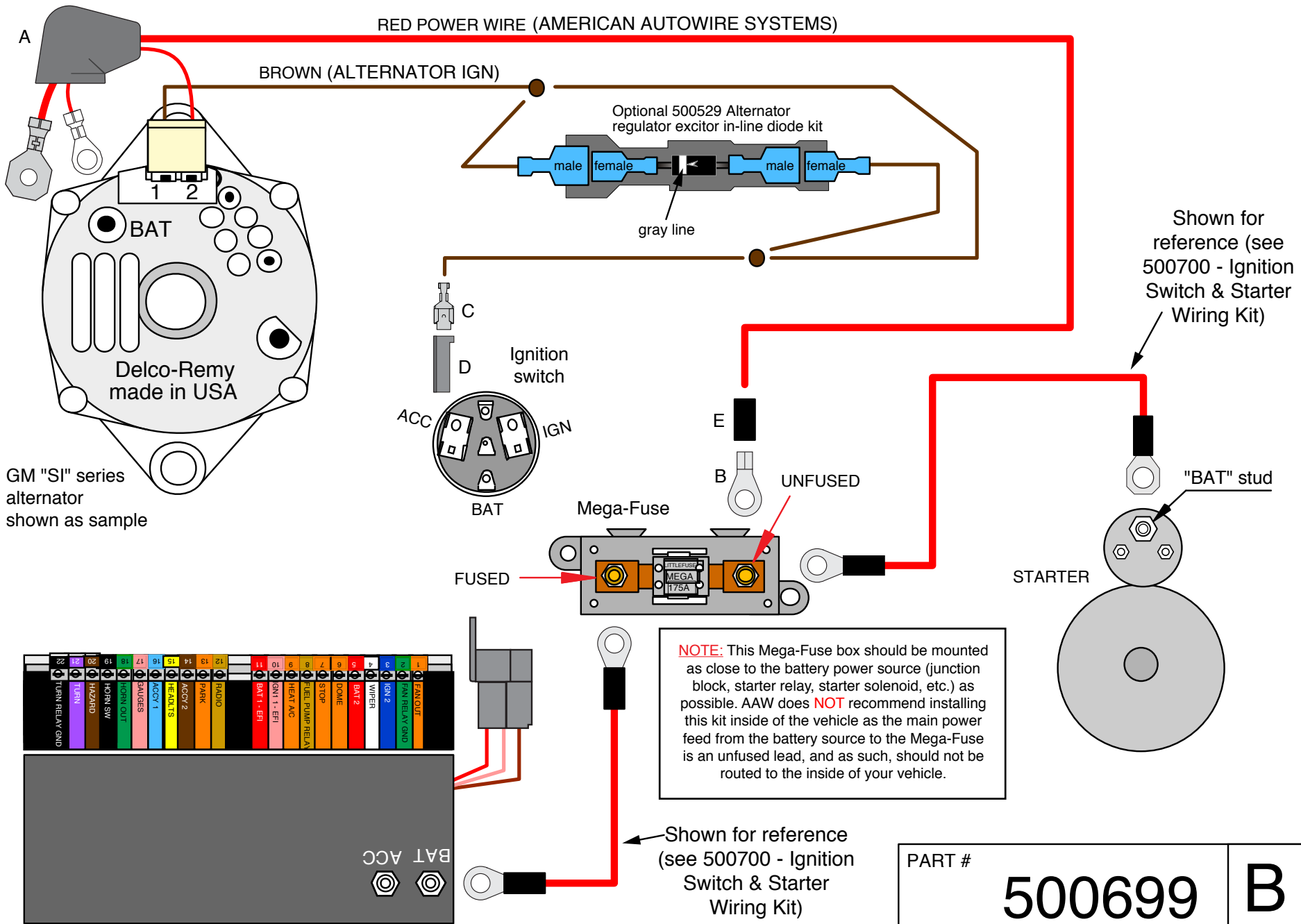


USE THIS PAGE FOR
HIGHWAY 22 SERIES WIRING KIT



PART #	500699	B
DESCRIPTION:		
ALTERNATOR CONNECTION KIT		
92966030	Rev 3.1	12/17/2014



INSTALLATION OF POWER WIRE - ALL ALTERNATORS

1. Install rubber boot (A) on the red wire as shown below.
2. Connect the large red wire to the alternator "BAT" stud.
3. Route the other end of this wire to the MEGA-FUSE connector and cut to length. The MEGA-FUSE connector is meant to be installed in line (as shown in the diagram) between the main power source and the Highway 22 panel.
4. Connect the red wire to the supplied MEGA-FUSE connector using shrink tube "E" and terminal "B" as shown in the diagram. Be sure to install the shrink tube before final crimp and soldering of the ring terminal.

ONE WIRE ALTERNATOR

Installation of the alternator power wire is the only connection required for a ONE-WIRE alternator. This type of alternator has a self excited regulator which is activated by the rpm of the engine.

GM INTERNALLY REGULATED ALTERNATOR ("SI" SERIES)

- 5) Plug the white connector into the 2 male blades on alternator. (It will only plug in one way.)
- 6) Route and connect the small red wire through the insulating boot and on to the alternator "BAT" stud. Slide the insulating boot over the battery stud connection.
- 7) Connect the brown wire to the "ACC" terminal of the ignition switch either directly or through the in line diode as follows:

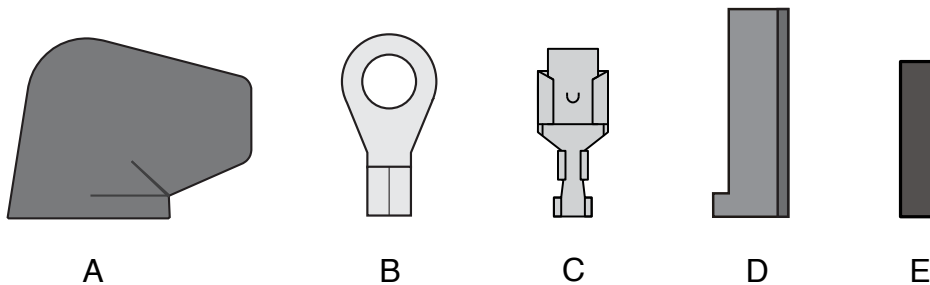
Note 1: Depending on your alternator and ignition switch manufacturer, it may be necessary to use a DIODE in the alternator's regulator circuit to prohibit any alternator feedback after the motor is shut off. If so, install the diode "in series" as shown. Optional Diode Kit 500529, is available from AAW, or your local AAW distributor.

Note 2: When performing electrical testing on the vehicle during installation, disconnect the diode from the circuit to prevent any possible damage to the diode until the testing is complete.

- a. If diode installation is not needed for your alternator, connect the BROWN wire from the alternator directly to the ignition switch "ACC" terminal using supplied female terminal "C" and connector "D".
- b. If diode installation is needed for your alternator, connect the BROWN wire from the alternator to the in line diode as shown in the diagram and complete the connection to the ignition switch "ACC" terminal using supplied female terminal "C" and connector "D".

Note: Be sure to have the gray line (on diode) towards the alternator. This line indicates the "direction of flow" of electricity. Failure to have this line in the right direction will prevent current from flowing properly.

Note: American Autowire also carries alternator adapter kits for GM "CS" series alternators.

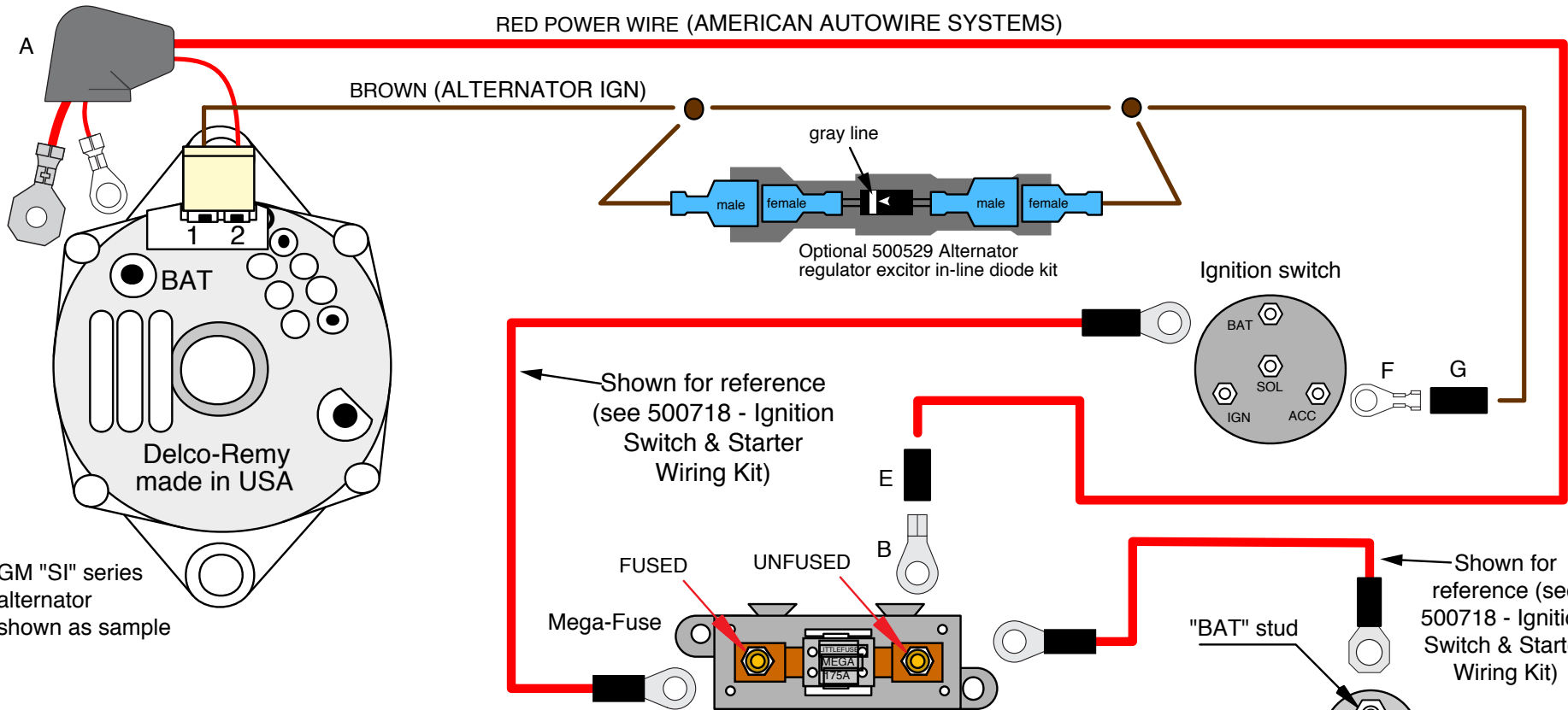


**American
Autowire**

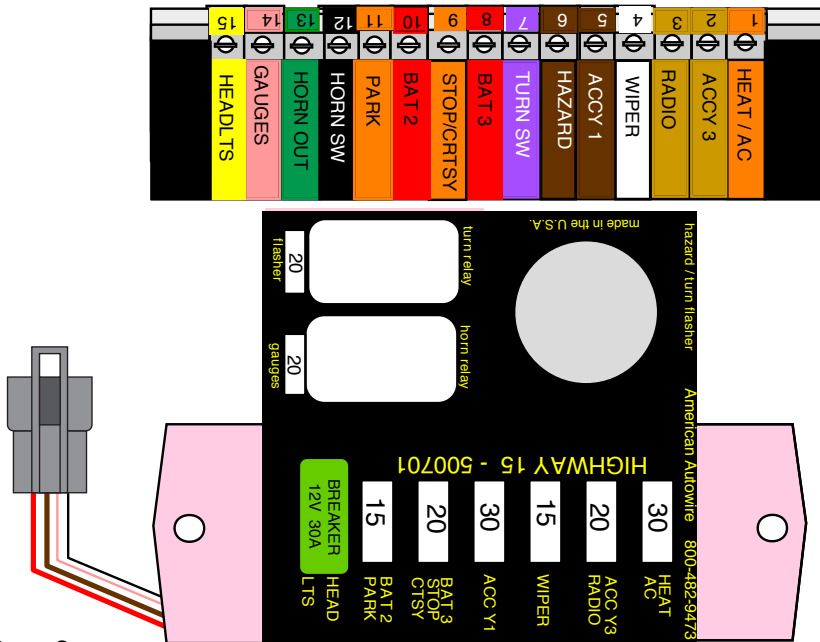
www.americanautowire.com 856-933-0801

PART #	500699	B
DESCRIPTION:		
ALTERNATOR CONNECTION KIT		
92966030	Rev 3.1	12/17/2014

USE THIS PAGE FOR
HIGHWAY 15 SERIES WIRING KIT



GM "SI" series alternator shown as sample



NOTE: This Mega-Fuse box should be mounted as close to the battery power source (junction block, starter relay, starter solenoid, etc.) as possible. AAW does NOT recommend installing this kit inside of the vehicle as the main power feed from the battery source to the Mega-Fuse is an unfused lead, and as such, should not be routed to the inside of your vehicle.

PART #

500699

B

DESCRIPTION:

ALTERNATOR CONNECTION KIT

92966030 Rev 3.1 12/17/2014



INSTALLATION OF POWER WIRE - ALL ALTERNATORS

1. Install rubber boot (A) on the red wire as shown below.
2. Connect the large red wire to the alternator "BAT" stud.
3. Route the other end of this wire to the MEGA-FUSE connector and cut to length. The MEGA-FUSE connector is meant to be installed in line (as shown in the diagram) between the main power source and the Highway 15 ignition switch and panel feed.
4. Connect the red wire to the supplied MEGA-FUSE connector using shrink tube "E" and terminal "B" as shown in the diagram. Be sure to install the shrink tube before final crimp and soldering of the ring terminal.

ONE WIRE ALTERNATOR

Installation of the alternator power wire is the only connection required for a ONE-WIRE alternator. This type of alternator has a self excited regulator which is activated by the rpm of the engine.

GM INTERNALLY REGULATED ALTERNATOR ("SI" SERIES)

- 5) Plug the white connector into the 2 male blades on alternator. (It will only plug in one way.)
- 6) Route and connect the small red wire through the insulating boot and on to the alternator "BAT" stud. Slide the insulating boot over the battery stud connection.
- 7) Connect the brown wire to the "ACC" terminal of the ignition switch either directly or through the in line diode as follows:

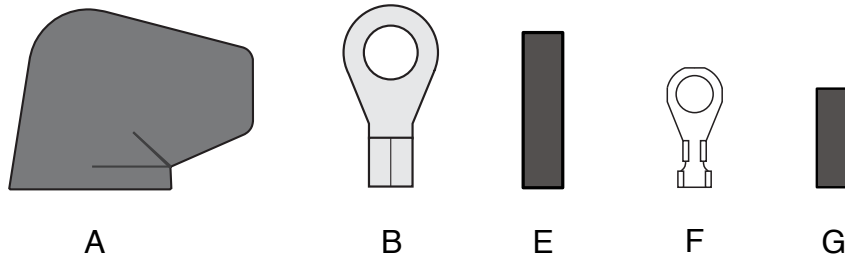
Note 1: Depending on your alternator and ignition switch manufacturer, it may be necessary to use a DIODE in the alternator's regulator circuit to prohibit any alternator feedback after the motor is shut off. If so, install the diode "in series" as shown. Optional Diode Kit 500529, is available from AAW, or your local AAW distributor.

Note 2: When performing electrical testing on the vehicle during installation, disconnect the diode from the circuit to prevent any possible damage to the diode until the testing is complete.

- a. If diode installation is not needed for your alternator, connect the BROWN wire from the alternator directly to the ignition switch "ACC" terminal using supplied ring terminal "F" and sleeve "G".
- b. If diode installation is needed for your alternator, connect the BROWN wire from the alternator to the in line diode as shown in the diagram and complete the connection to the ignition switch "ACC" terminal using supplied ring terminal "F" and sleeve "G".

Note: Be sure to have the gray line (on diode) towards the alternator. This line indicates the "direction of flow" of electricity. Failure to have this line in the right direction will prevent current from flowing properly.

Note: American Autowire also carries alternator adapter kits for GM "CS" series alternators.



**American
Autowire**

www.americanautowire.com 856-933-0801

PART #

500699

B

DESCRIPTION:

**ALTERNATOR
CONNECTION KIT**

92966030 Rev 3.1 12/17/2014