

Classic Update Series

FOR 1960-65 APPLICATIONS

THIS AAW KIT DOES NOT SUPPORT THE USE OF A FACTORY AMMETER OR A FACTORY CHARGE INDICATOR LAMP.

AAW SUGGESTS THE USE OF A VOLTMETER AS A REPLACEMENT FOR THE FACTORY AMMETER.

IF THE VEHICLE IS EQUIPPED WITH A CHARGE INDICATOR LAMP, AAW HAS A CHARGE LAMP MODULE (PN: 510287) AVAILABLE FOR USE.

TERMINAL KIT 92965220 HAS BEEN PROVIDED FOR YOU TO CONNECT THIS CLUSTER KIT TO AN AFTERMARKET GAUGE PANEL OR SET.

CONNECTOR E - Plug this connector into the mating connector A on the dash harness (bag G) and connect wires as follows:

Wire Color	Function	Description
PINK	12v Ignition	This loose wire is used with an Oil Pressure Warning Lamp or as the ignition feed with any Aftermarket Gauge Cluster. Plug this wire into connector E in the cavity indicated (see page 3 and 5). Route this wire to the Oil Pressure Warning Lamp (see page 4), cut to length and install terminal K, and plug into connector G.
GREY	Instrument Lamps	Route this wire to the Cluster Instrument Lamps (see pages 3 and 5). This will require an in-line splice of the wires to be able to accommodate each of the lamps. Slide lamp socket M over each wire and install terminal H.
BLACK	Ground	Route this wire to a good Cluster ground screw (see pages 3 and 5), cut to length, install ring terminal Q. Connect to a good Cluster ground using an existing Cluster housing screw.
BROWN	ACC Voltage	Route this wire to the input side of the Constant Voltage Regulator (CVR NOT SUPPLIED, see pages 3 and 5), cut to length, install terminal O, and plug into connector N, now connect to the CVR. Take the cut off portion of the wire and slide on sleeve P, then install terminal L, slide P over L and connect to the output side of the CVR. Route the other end of the wire to the closest gauge, cut to length and install a ring terminal supplied from the Gauge Terminal Kit. If there are multiple gauges, you will need to make separate jumper wires using the ring terminals from the Gauge Terminal Kit to supply power to all of the gauges. Attach the ring terminals to the gauges with the included 10-32 locknuts.

CONNECTOR D - Plug this connector into the mating connector B on the dash harness (bag G) and connect wires as follows:

IF BOTH TURN SIGNALS OPERATE ONLY ONE INDICATOR LAMP (see page 4):

Wire Color	Function	Description
LT BLUE	Left Turn Lamp	Route this wire to the Turn Signal Lamp, cut to length, slide on lamp socket G and spring J, and install terminal H.
DK BLUE	Right Turn Lamp	Route this wire to the same Turn Signal Lamp, cut to length, install terminal K, and plug into socket G.

IF THE TURN SIGNALS OPERATE TWO SEPARATE INDICATOR LAMPS (see page 6):

LT BLUE	Left Turn Lamp	Route this wire to the Left Hand Turn Signal Lamp, cut to length, slide on lamp socket M, and install terminal H.
DK BLUE	Right Turn Lamp	Route this wire to the Right Hand Turn Signal Lamp, cut to length, slide on lamp socket M, and install terminal H.

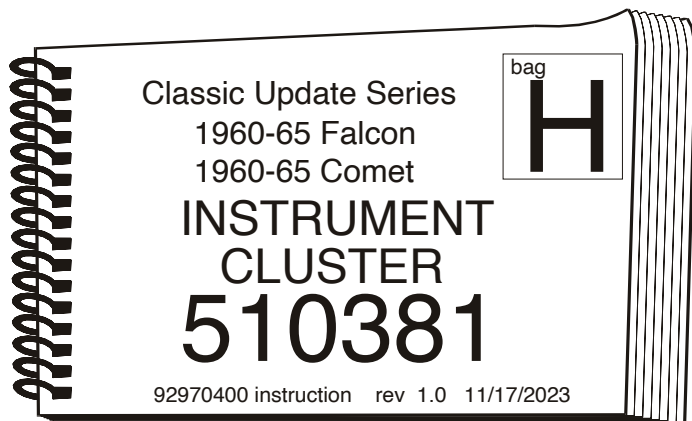
FOR ALL APPLICATIONS (see pages 4 and 6):

LT GREEN	Hi Beam Lamp	Route this wire to the High Beam Indicator Lamp, cut to length, slide on lamp socket M, and install terminal H.
DK GREEN	Temperature Sender	Route this wire to the Temperature Gauge, cut to length, install a ring terminal from the Gauge Terminal Kit, and attach to the Temperature Gauge using a supplied 10-32 locknut.
TAN	Fuel Sender	Route this wire to the Fuel Gauge, cut to length, install a ring terminal from the Gauge Terminal Kit, and attach to the Fuel Gauge using a supplied 10-32 locknut.
DK BLUE	Oil Pressure Sender	FOR OIL PRESSURE WARNING LAMP (see page 4): Route this wire to the Oil Pressure Warning Lamp, cut to length, slide on lamp socket G and spring J, and install terminal H. FOR OIL PRESSURE GAUGE (see page 6): If you have an Oil Pressure Gauge, route this wire to the back of the gauge, cut to length, and install a ring terminal from the Gauge Terminal Kit and attach to the Oil Pressure Gauge using a supplied 10-32 locknut.



**American
Autowire**

www.americanautowire.com 856-933-0801



Classic Update Series

FOR 1960-65 APPLICATIONS

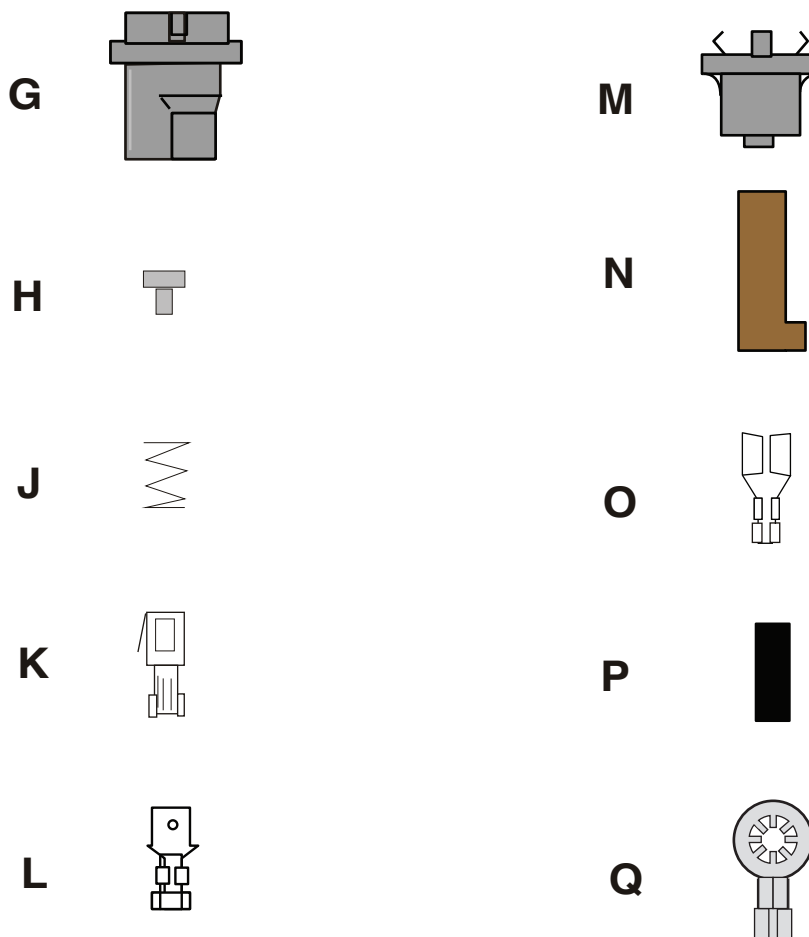
CONNECTOR F - This connector will plug into mating connector C of the Dash Harness (bag G). Connect the wires as follows:

This connector is only used when using an Aftermarket Electric Speedometer (see page 8). Follow the manufacturer's instructions when installing these wires. If you are using a stock or mechanical aftermarket speedometer, you may discard this connector and wires.

OTHER LOOSE WIRES:

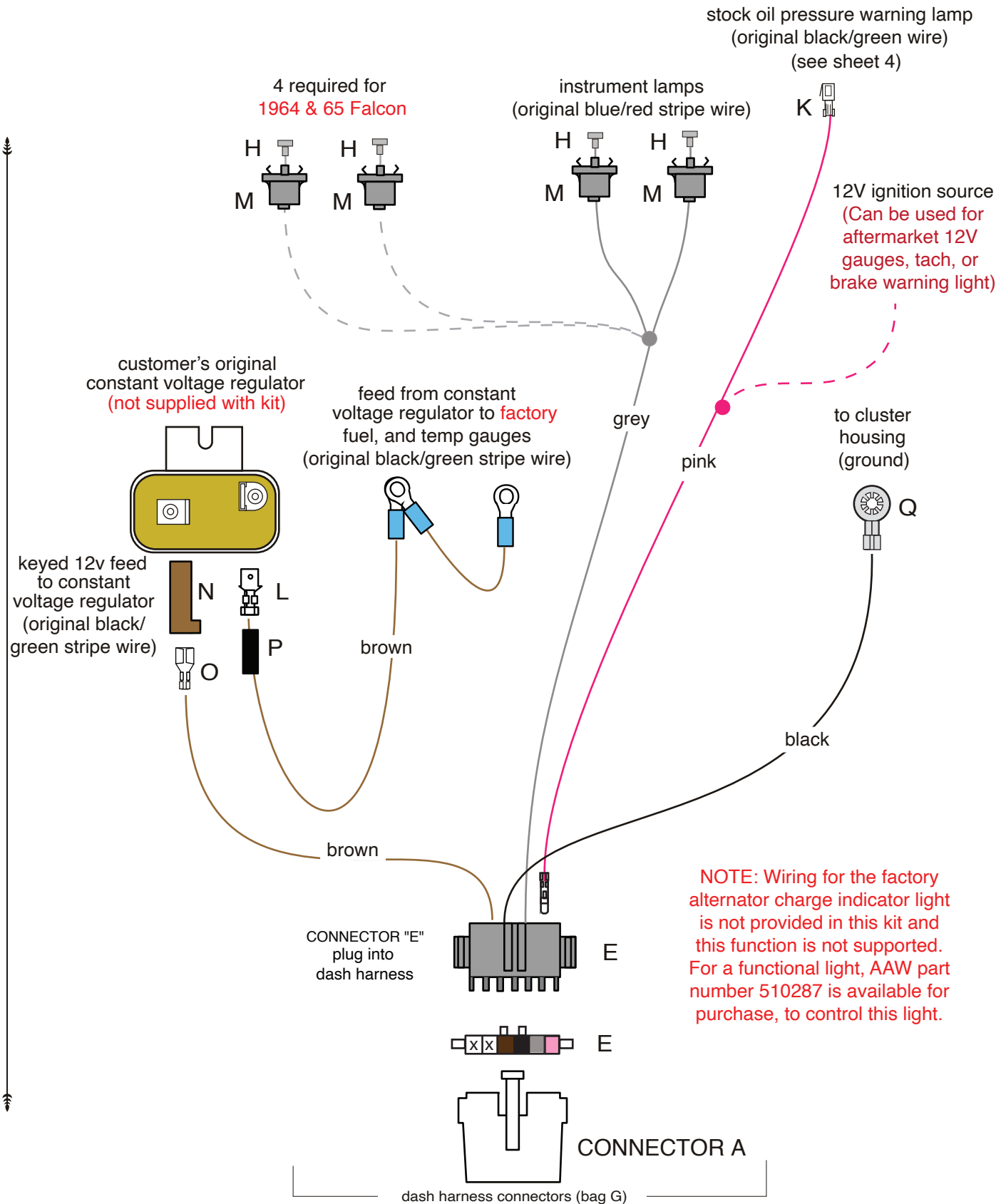
WHITE	Tachometer	Used only with an Aftermarket Tachometer. Plug this loose wire into connector D (see pages 4 and 6). Route the other end of this wire to the Tachometer, cut to length, and install onto your Tachometer pulse location.
TAN	Brake Light/Switch	Used only with an upgraded Brake System which includes a Brake Warning Lamp. Route this wire to the ground side of your Brake Warning Lamp.
PINK	12V Ignition	This is the same Pink wire from page 1. Can be used to provide 12V to an aftermarket Brake Warning Light or aftermarket gauges that require a 12v ignition fused feed.

TYPICAL AFTERMARKET GAUGE CONNECTIONS (see page 7).



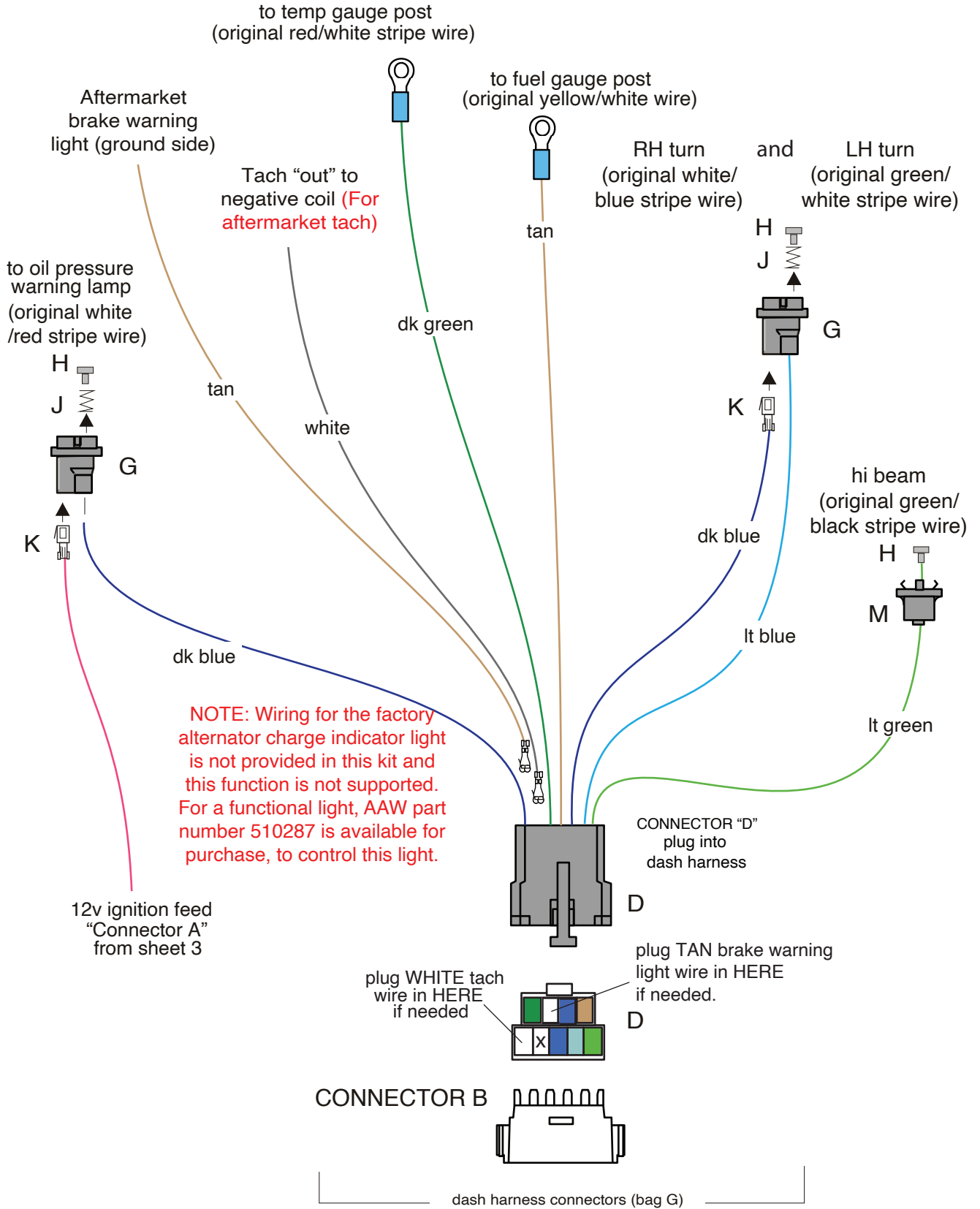
Classic Update Series

USE THIS SHEET TO CONNECT TO AN ORIGINAL 1960-65 FALCON & 1960-63 COMET



USE THIS SHEET TO CONNECT TO AN ORIGINAL
1960-65 FALCON & 1960-63 COMET

Classic Update Series



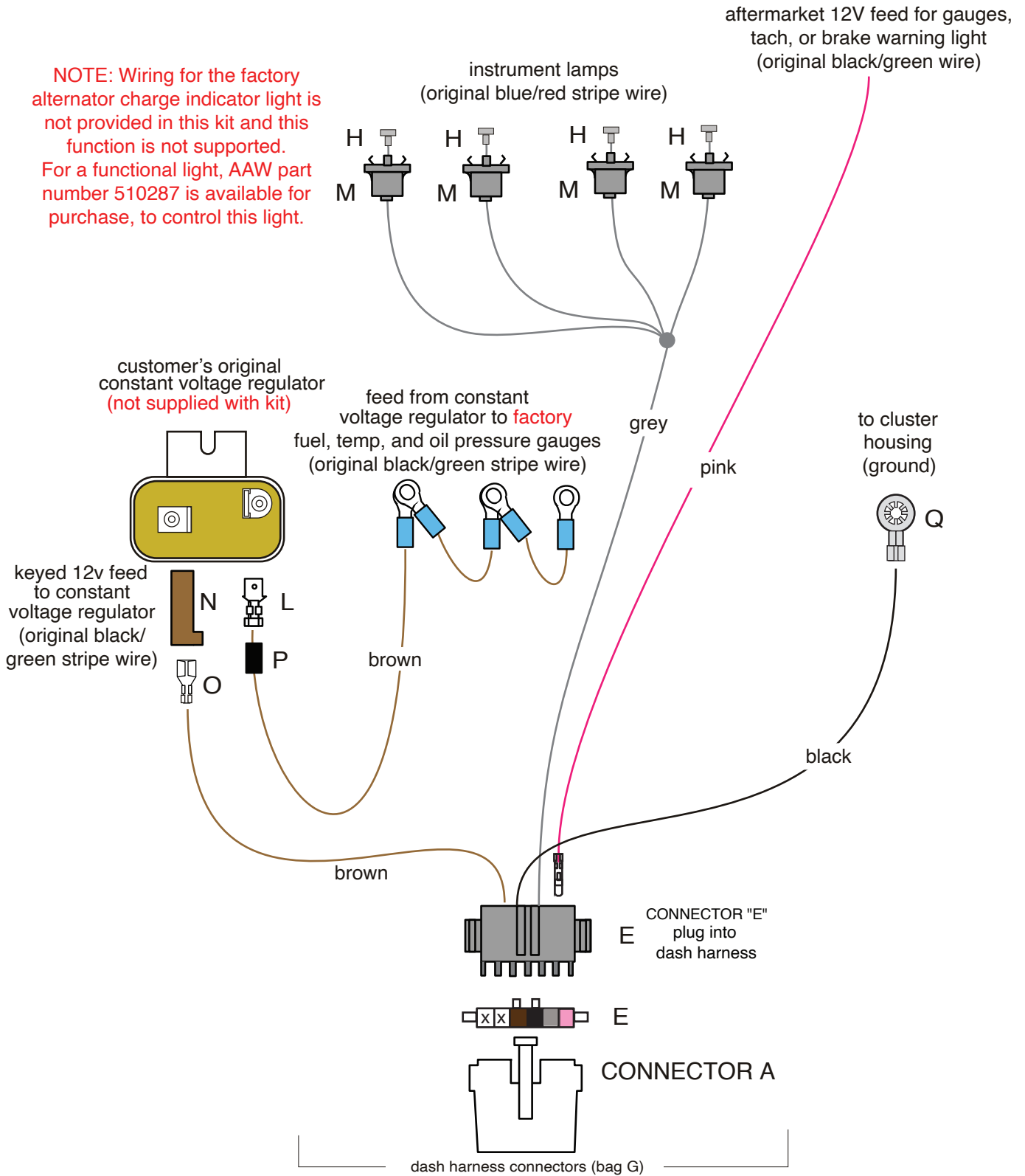
**American
Autowire**

1960-65 Falcon/Comet
Instrument Cluster Kit
510381

USE THIS SHEET TO CONNECT TO AN ORIGINAL
1964-65 COMET

Classic Update Series

NOTE: Wiring for the factory alternator charge indicator light is not provided in this kit and this function is not supported. For a functional light, AAW part number 510287 is available for purchase, to control this light.



USE THIS SHEET TO CONNECT TO AN ORIGINAL
1964-65 COMET

to temp gauge post
 (original red/white stripe wire)

Aftermarket
 brake warning
 light (ground side)

to fuel gauge post
 (original yellow/white wire)

Tach "out" to
 negative coil (For
 aftermarket tach)

tan

LH turn
 (original green/
 white stripe wire)

to oil gauge post
 (original white/red
 wire)

tan

dk green

RH turn
 (original white/
 blue stripe wire)

H
 M

hi beam
 (original green/
 black stripe wire)

H
 M

white

H
 M

lt blue

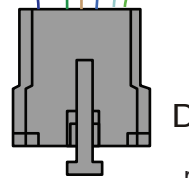
dk blue

dk blue

lt green

NOTE: Wiring for the factory alternator charge indicator light is not provided in this kit and this function is not supported.
 For a functional light, AAW part number 510287 is available for purchase, to control this light.

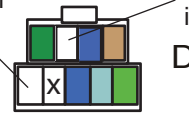
CONNECTOR "D"
 plug into
 dash harness



D

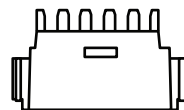
plug TAN brake warning
 light wire in HERE
 if needed.

plug WHITE tach
 wire in HERE
 if needed



D

CONNECTOR B



dash harness connectors (bag G)

Classic Update Series

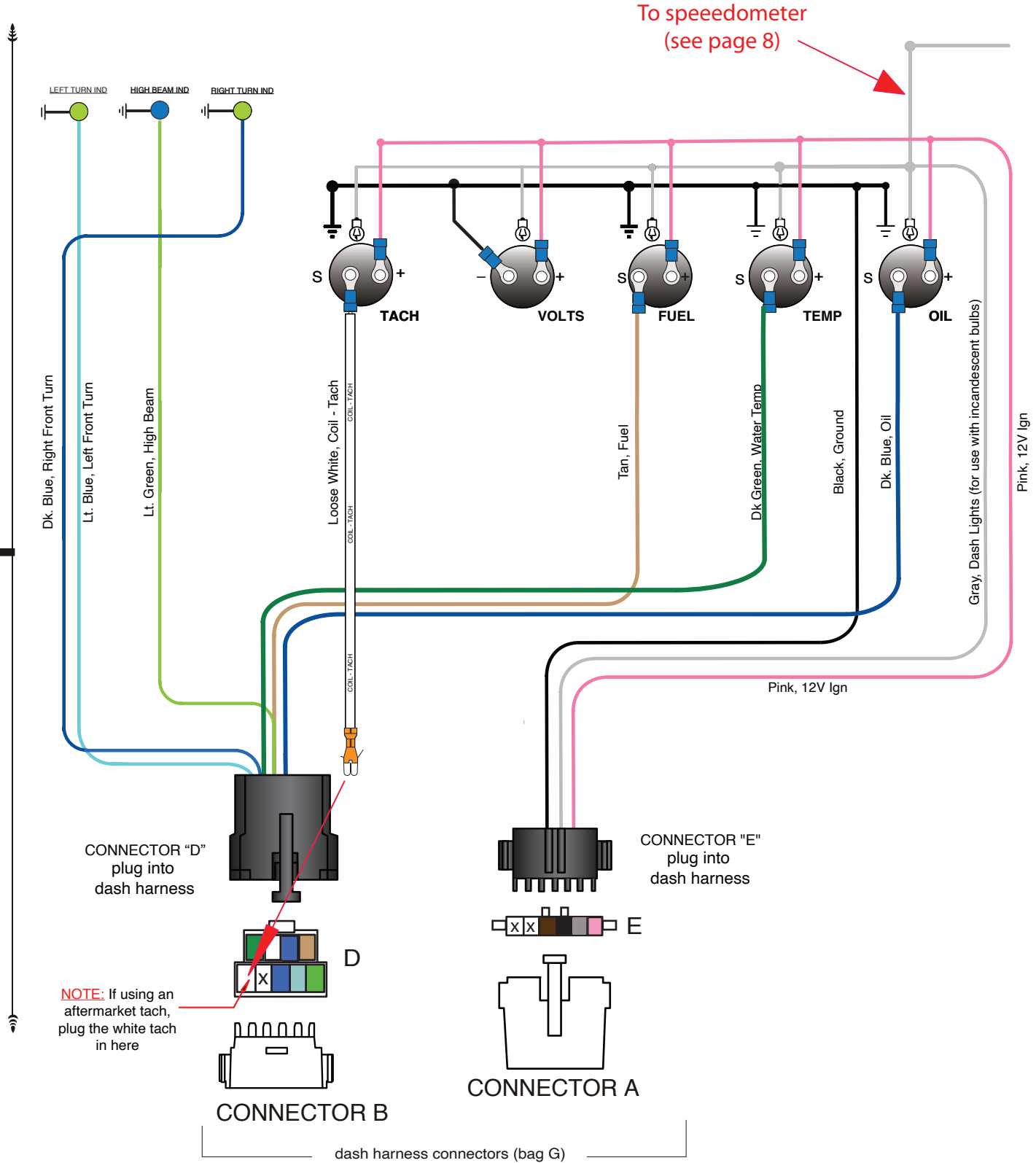


**American
 Autowire**

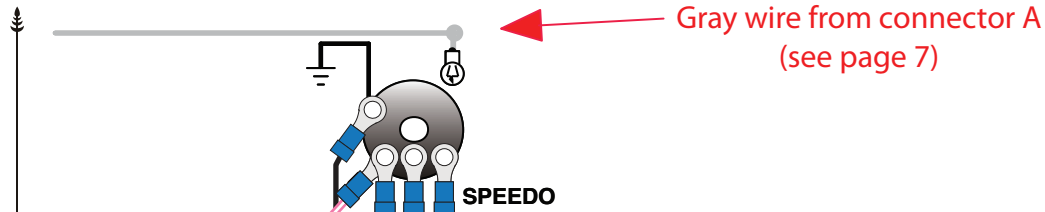
1960-65 Falcon/Comet
 Instrument Cluster Kit
510381

TYPICAL AFTERMARKET GAUGE CONNECTIONS (RING TYPE CONNECTIONS SHOWN)

Classic Update Series



TYPICAL AFTERMARKET GAUGE CONNECTIONS (RING TYPE CONNECTIONS SHOWN)

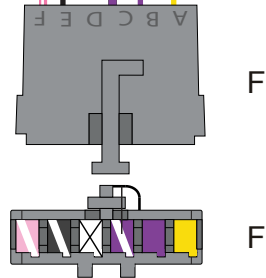


TYPICAL ELECTRIC SPEEDO CONNECTIONS

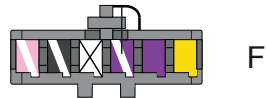
(Consult speedometer manufacturer's instructions to see which of these wires will be required for installation.)

Below are some general instructions for hooking up an electric speedometer. This connector and these instructions will ONLY be used in the event that you are utilizing an aftermarket electric speedometer. If your car does NOT have an electric speedometer, this connection will NOT be used and should not be plugged onto your dash harness. It is best to consult the speedometer manufacturer's instructions if you have any questions.

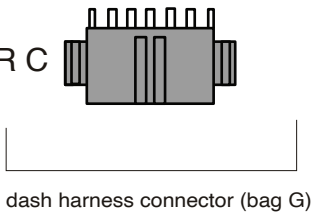
CONNECTOR "F"
plug into
dash harness



CONNECTOR "C"
plug into



CONNECTOR C



<u>Yellow</u>	VSS Ground	Connect to VSS "-" on speedometer.
<u>Purple</u>	VSS Signal	Connect to VSS input on speedometer.
<u>Purple/White</u>	VSS Power	Connect to 12V power on speedometer.
<u>Black/White</u>	Speedo Ground	Connect to ground on speedometer.
<u>Pink/White</u>	Speedo Power	Connect to 12v power on speedometer.
same power wire		NOTE: This wire will double onto the stud as the purple/white VSS from above.