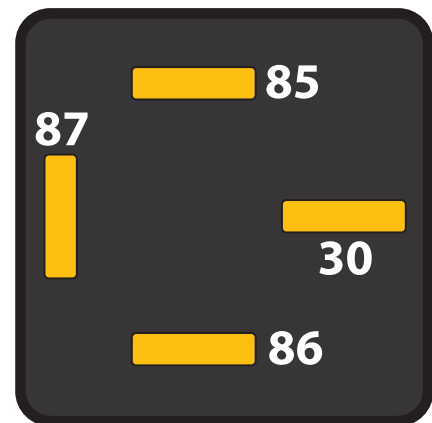
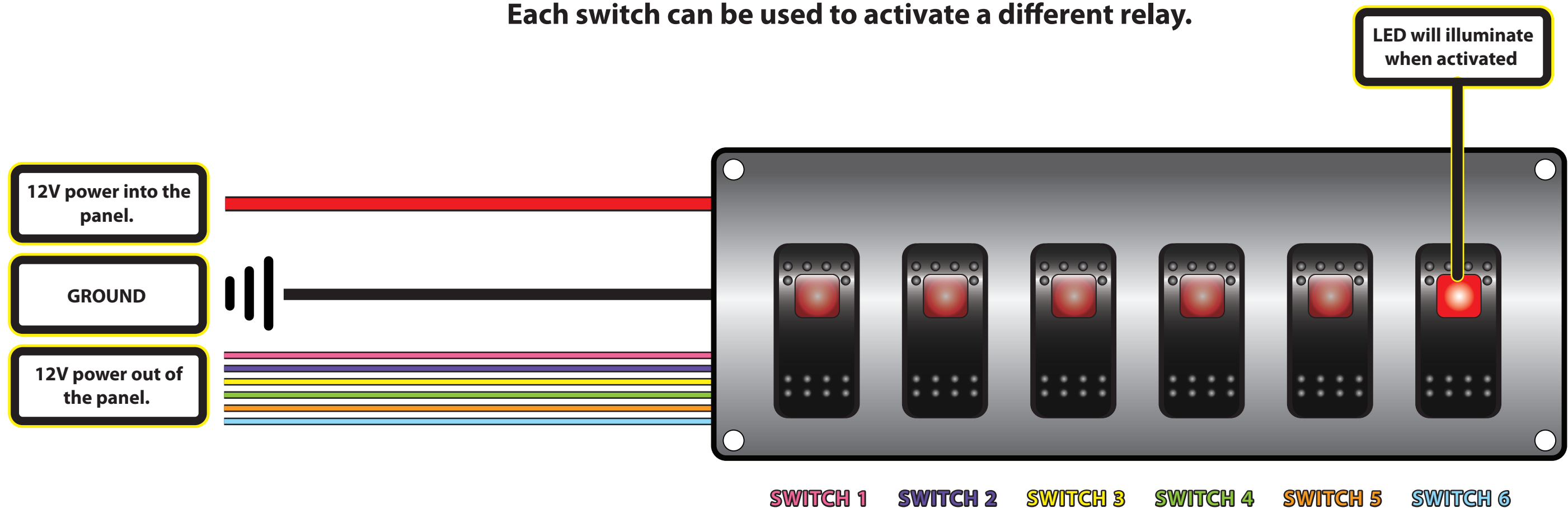


6 Position Rocker Switch Panel

This panel is designed to send 12 volts to a relay when activated. When the switch is activated the red LED light will illuminate.

All of the switches are designed to receive power the same way. It will be the installer's decision to decide whether it is key on or battery operated.

Each switch can be used to activate a different relay.



40 Amp ISO Relay

- 30 - Main Input Power feed
- 85 - Wire From Switch Panel
- 86 - Switched Ground Trigger Control
- 87 - Main Output Power Feed



Rocker Switch Panel connection using AAW Relay Panel

