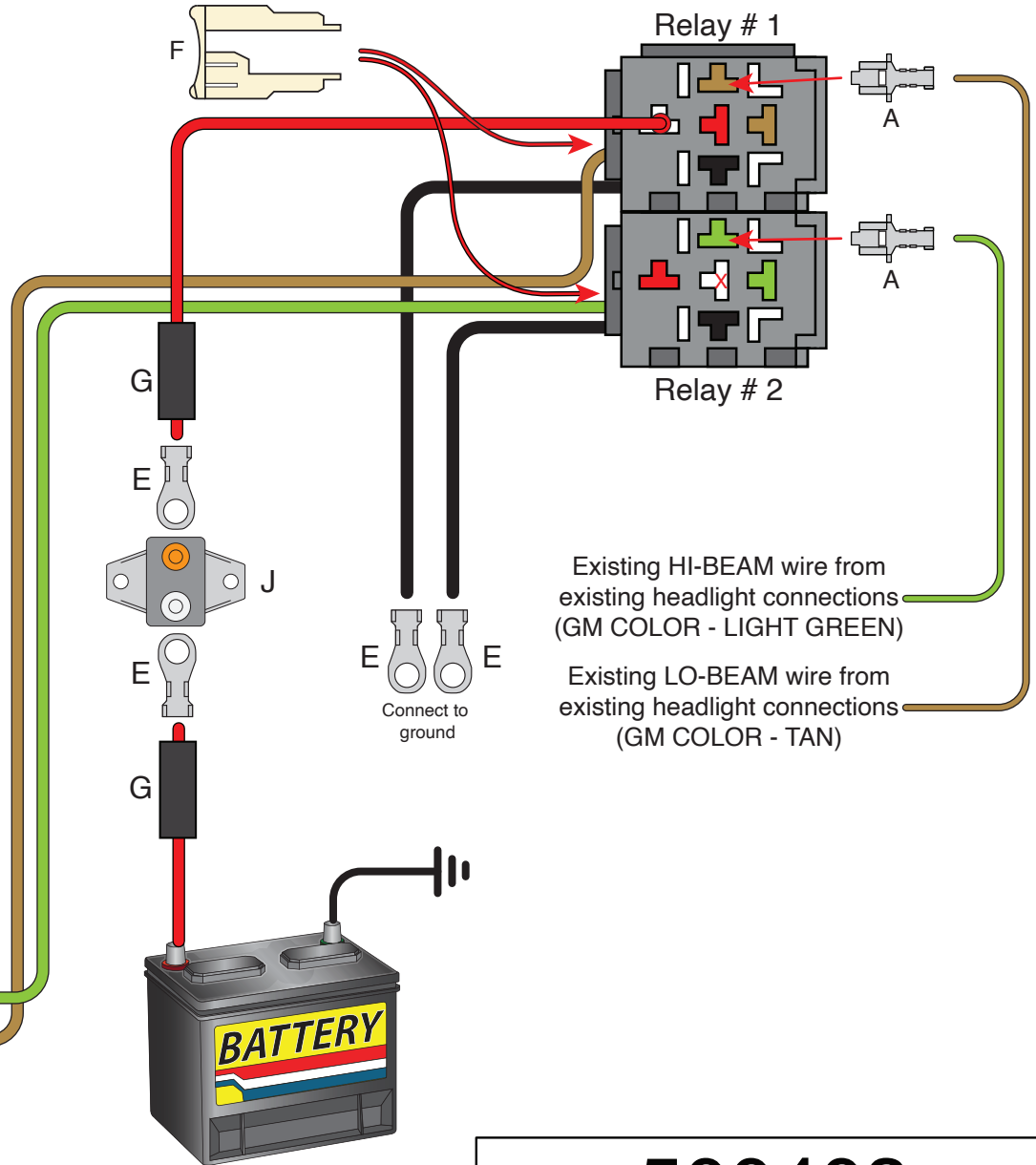
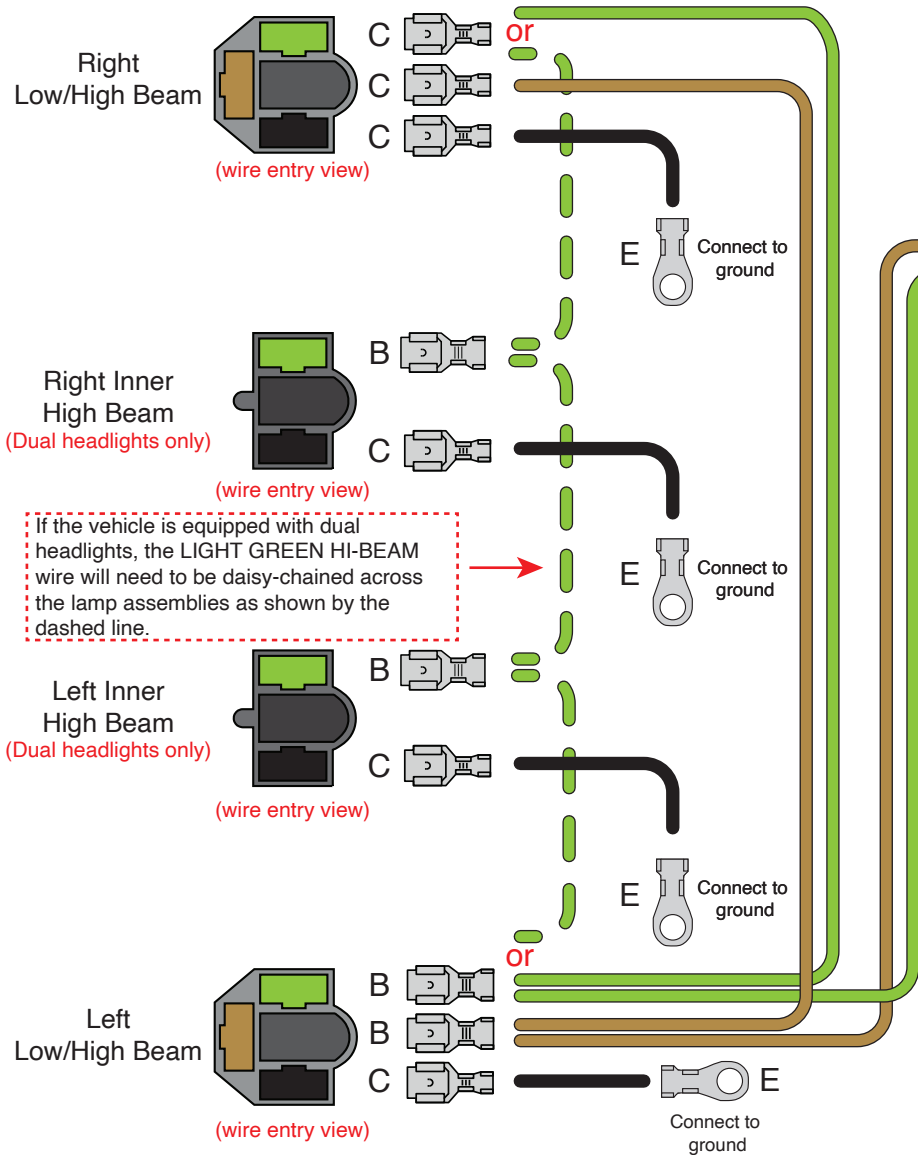


Install relay lock "F" into each relay base after inserting the existing hi-beam/lo-beam wires.



**500403**  
 Headlight Enhancement  
 Relay kit

92964990 Instruction sheet Rev 4.0 JDM 03/20/2023

**American  
Autowire**

www.americanautowire.com 856-933-0801

## Installation Instructions

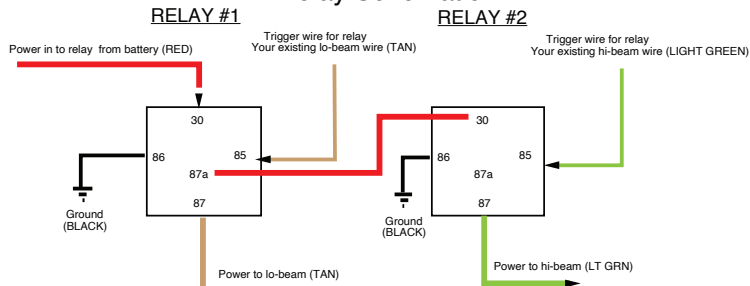
This kit has been designed to increase the output of your existing headlights. Utilizing relays to supply direct 12 volts to the headlights, this kit eliminates the resistance build up from multiple connection points and smaller gauge wiring. The relays will be activated by your existing lo / hi-beam feed wires from the dimmer switch. The instructions below are for a single headlight system. For a dual headlight system, follow the dashed lines on the diagram on sheet 1, in addition to these instructions, to connect extra bulbs.

Install kit as follows:

1. Mount relays near the front the of vehicle (typically on radiator support)
2. Cut existing wires going to driver side headlight (near bulb), and remove any existing wires going to passenger side headlight.
3. Your existing low beam feed wire (tan on GM applications) located on the driver side headlight, will now be cut back to reach RELAY #1.
4. Terminate this low-beam wire with the supplied terminal "A", and plug into relay #1, in the location shown on sheet 1. Install white locking tab "F" in connector.
5. Your existing hi-beam feed wire (It green on GM applications) located on the driver side headlight, will now be cut back to reach RELAY #2.
6. Terminate this hi-beam wire with the supplied terminal "A", and plug into relay #2, in the location shown on sheet 1. Install white locking tab "F" in connector.
7. Route the new light green wire coming from RELAY #2 to the driver side headlight, and cut to length.
8. With the cut off portion of the light green wire, double it together with the light green wire from the relay using the supplied terminal "B", and plug into the headlight connector "D", as shown on sheet 1.
9. Route the free end of the light green wire to the passenger side headlight, terminate using terminal "C", and plug in as shown on sheet 1.
10. Route the tan wire coming from RELAY #1 to the driver side headlight, and cut to length.
11. With the cut off portion of the tan wire, double it together with the tan wire from the relay using the supplied terminal "B", and plug into the headlight connector "D", as shown below.
12. Route the free end of the tan wire to the passenger side headlight, terminate using terminal "C" and plug in as shown sheet 1.
13. Route both black wires from the relays to a good chassis ground, cut to length, and terminate using the supplied ring terminals "E".
14. With the cut off portions of the black wires, terminate using terminal "C" and install in both headlight connectors "D", as shown on sheet 1. Route the other end to a good chassis ground, and terminate with ring terminal "E".
15. Mount the included circuit breaker "J" in a location close to the battery. Route the red wire to the circuit breaker, cut to length, pass through wire sleeve "G" terminate with ring terminal "E". Connect the ring terminal end to one of the studs on circuit breaker "J" and secure with the included nut.
16. With the cut off portion of the red wire, pass the wire through wire sleeve "G" and terminate one end with ring terminal "E" and attach to the other stud on circuit breaker "J". Secure the ring terminal to the circuit breaker with the other included nut. Route and connect the other end of this wire to the battery.
17. Install the circuit breaker cover "K" on circuit breaker "J" to complete the installation.



### Relay Schematic



**500403**  
Headlight Enhancement  
Relay kit