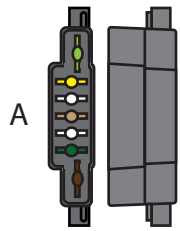


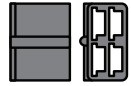
USE THIS SHEET FOR ALL 1973-82 FLEETSIDE MODELS



A

Connect the main connector to the bulkhead connector at the firewall on the dash harness 510351 bag G. After completing the installation of this portion of the kit, it is recommended that you seal the back of the cavities of Connectors A and B with black silicone sealer.

NOTE: There is a grommet G included in this bag. It installs in the frame of the truck where the factory molded connection passed through the frame. You will need to ream out the hole in the center of the grommets depending on how many wires you install through them.



B

LIGHT BLUE Third brake light

If equipped, plug this wire into the main rear body connector **A**, route to the third brake light, cut to length and splice to your third brake light. Route out through the **G** grommet to the back of the truck if the third brake light is at the back, cut to length and splice to your third brake light.

TAN Fuel Tank lead

Route this wire to the fuel tank and cut to length, install terminal **C**, insert into connector **F** and plug into fuel tank sender extension **J**. Plug fuel tank extension **J** onto fuel tank sender to complete installation.

ORANGE 12V battery feed for optional accessories

This wire is provided as a 12V battery feed for optional accessories at the back of the truck. Some LED lamps require a separate battery feed in addition to the signal wires. Plug this wire into the main rear body connector **A** if you choose to use it.



C



D

BROWN Parking lamps

Route this wire towards the back of the truck through the **G** grommet to meet the disconnect on the lamp socket extension **L** on the driver side, cut to length, use cut off portion to go across the back of the truck to the passenger side, cut to length. Double the cut ends of the wire into terminal **D** and plug into connector **B** on the driver side. Use the remaining cut off portion of wire for the license plate lamp by routing from the lamp socket disconnect **L** on the passenger side to the license plate lamp, cut to length, double the cut ends into terminal **D** and plug into connector **B**. At the license plate lamp end of the wire slide on rubber sleeve **H** and then install terminal **E**, terminal **E** will plug into license plate lamp. Connectors **B** will plug into the disconnect on the lamp socket extension **L**. See page 2 (**Fleetside**) for connector indexing.



E



F

YELLOW LH Stop / Tail

Route this wire towards the back of the truck through the **G** grommet to meet the disconnect on the lamp socket extension **L** on the driver side, cut to length, install terminal **C**, plug into connector **B**. Connector **B** will plug into the disconnect on the lamp socket extension **L**. See page 2 (**Fleetside**) for connector indexing.



G

DK GREEN RH Stop / Tail

Route this wire towards the back of the truck through the **G** grommet then across the back of the truck to the disconnect on the lamp socket extension **L** on the passenger side, cut to length, install terminal **C**, plug into connector **B**. Connector **B** will plug into the disconnect on the lamp socket extension **L**. See page 2 (**Fleetside**) for connector indexing.



H

LIGHT GREEN Back up lamp feed

Route this wire towards the back of the truck through the **G** grommet to meet the disconnect on the lamp socket extension **L** on the driver side, cut to length, use cut off portion to go across the back of the truck to the passenger side, cut to length, install terminal **C**. Double the cut ends of the wire into terminal **D** and plug into connector **B** on both the driver and passenger sides. Connectors **B** will plug into the disconnect on the lamp socket extension **L**. See page 2 (**Fleetside**) for connector indexing.



J

BLACK Ground

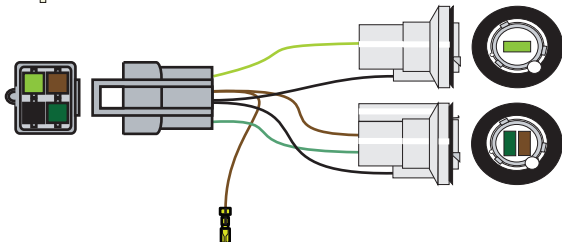
This wire comes installed into side marker extension **K**, insert the side marker socket into side marker housing on both the driver and passenger sides, route the black wire back to the lamp socket extension disconnect **L**, cut to length, double the cut ends into terminal **D** and plug into connector **B** on both the driver and passenger sides. Plug the brown parking light wire with attached lamp terminal from lamp socket extension **L** into side marker **K**. Run attached ring terminal to a good chassis ground. Connector **B** will plug into the disconnect on the lamp socket extension **L**. See page 2 (**Fleetside**) for connector indexing.



K

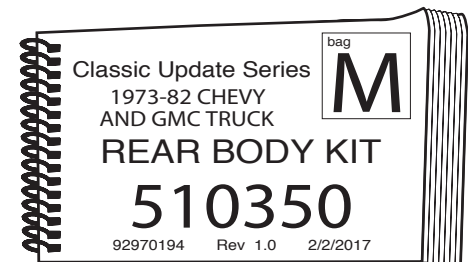


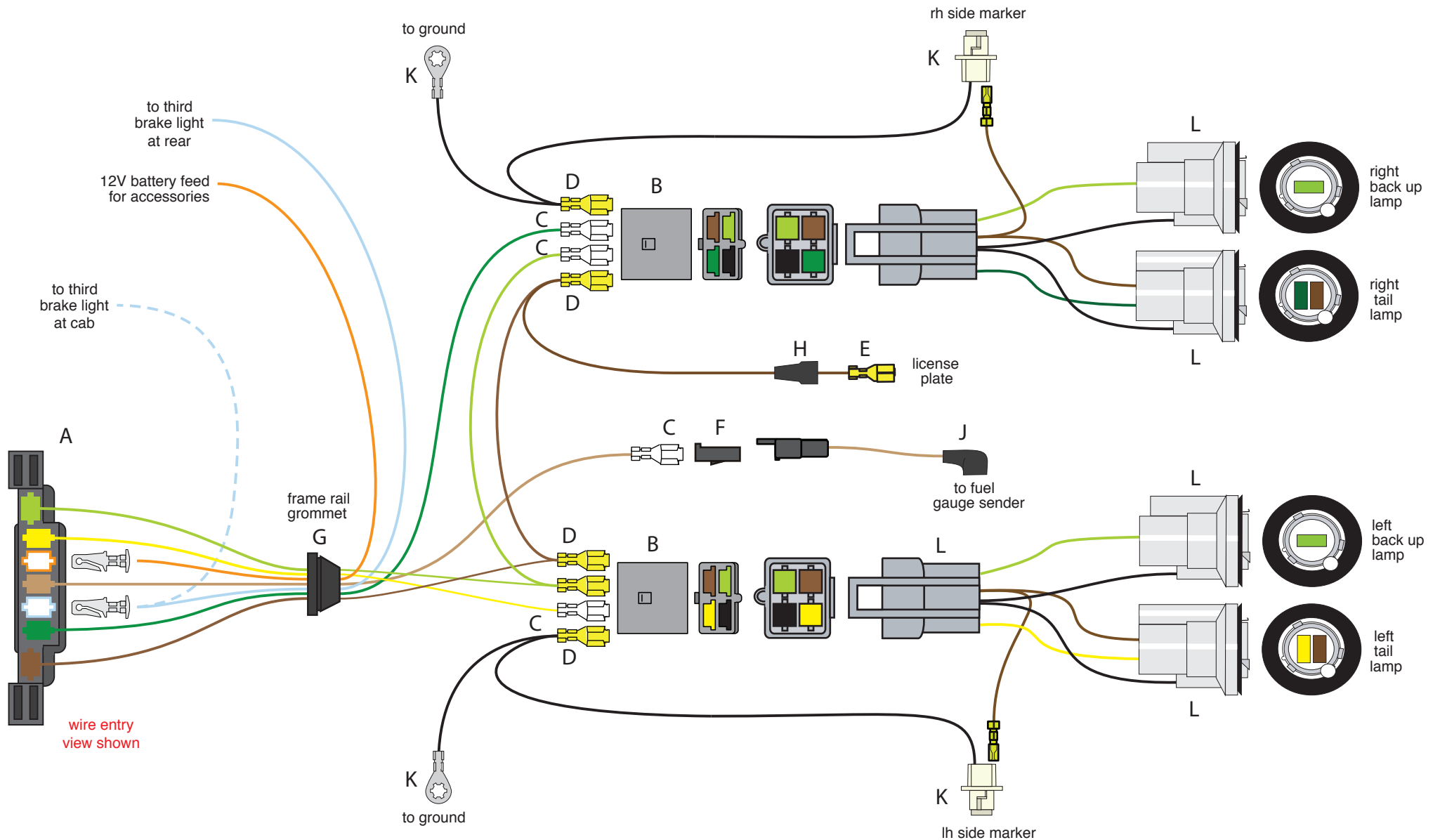
L



**American
Autowire**

www.americanautowire.com 856-933-0801





**USE THIS SHEET FOR
ALL FLEETSIDE MODELS**



**American
Autowire**

Classic Update Series bag
M

1973-82 CHEVY
AND GMC TRUCK

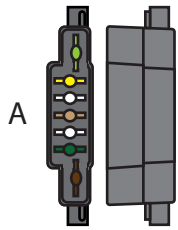
REAR BODY KIT

510350

92970194 Rev 1.0 2/2/2017

USE THIS SHEET FOR ALL 1973-82

STEPSIDE MODELS



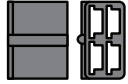
A

Connect the main connector to the bulkhead connector at the firewall on the dash harness 510351 bag G. After completing the installation of this portion of the kit, it is recommended that you seal the back of the cavities of Connectors A and B with black silicone sealer.

NOTE: There is a grommet G included in this bag. It installs in the frame of the truck where the factory molded connection passed through the frame. You will need to ream out the hole in the center of the grommets depending on how many wires you install through them.

LIGHT BLUE Third brake light

If equipped, plug this wire into the main rear body connector **A**, route to the third brake light, cut to length and splice to your third brake light. Route out through the **G** grommet to the back of the truck if the third brake light is at the back, cut to length and splice to your third brake light.



B

TAN Fuel Tank lead

Route this wire to the fuel tank and cut to length, install terminal **C**, insert into connector **F** and plug into fuel tank sender extension **J**.

ORANGE 12V battery feed for optional accessories

This wire is provided as a 12V battery feed for optional accessories at the back of the truck. Some LED lamps require a separate battery feed in addition to the signal wires. Plug this wire into the main rear body connector **A** if you choose to use it.



C



D

BROWN Parking lamps

Route this wire towards the back of the truck through the **G** grommet to meet the disconnect on the lamp socket extension **L** on the driver side, cut to length, use cut off portion to go across the back of the truck to the passenger side, cut to length. Double the cut ends of the wire into terminal **D** and plug into connector **B** on the driver side. Use the remaining cut off portion of wire for the license plate lamp by routing from the lamp socket disconnect **L** on the passenger side to the license plate lamp, cut to length, double the cut ends into terminal **D** and plug into connector **B**. At the license plate lamp end of the wire slide on rubber sleeve **H** and then install terminal **E**, terminal **E** will plug into license plate lamp. Connectors **B** will plug into the disconnect on the lamp socket extension **L**. See page 4 (**Stepside**) for connector indexing.



E



F

YELLOW LH Stop / Tail

Route this wire towards the back of the truck through the **G** grommet to meet the disconnect on the lamp socket extension on the driver side, cut to length, install terminal **C**, plug into connector **B**. Connector **B** will plug into the disconnect on the lamp socket extension **L**. See page 4 (**Stepside**) for connector indexing.



G



H

DK GREEN RH Stop / Tail

Route this wire towards the back of the truck through the **G** grommet then across the back of the truck to the disconnect on the lamp socket extension **L** on the passenger side, cut to length, install terminal **C**, plug into connector **B**. Connector **B** will plug into the disconnect on the lamp socket extension **L**. See page 4 (**Stepside**) for connector indexing.



J

LIGHT GREEN Back up lamp feed

Route this wire towards the back of the truck through the **G** grommet to meet the disconnect on the lamp socket extension **L** on the driver side, cut to length, use cut off portion to go across the back of the truck to the passenger side, cut to length, install terminal **C**. Double the cut ends of the wire into terminal **D** and plug into connector **B** on both the driver and passenger sides. Connectors **B** will plug into the disconnect on the lamp socket extension **L**. See page 4 (**Stepside**) for connector indexing.



K

BLACK BROWN Ground Parking lamps

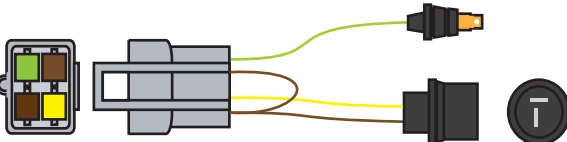
(SKIP THIS STEP IF YOUR TRUCK DOES NOT HAVE SIDE MARKERS) This wire comes installed into side marker extension **K**, insert the side marker socket into side marker housing on both the driver and passenger sides. Run attached ring terminal to a good chassis ground. Plug brown Parking Light wire extension **M** into the side marker lamp socket and the other end into Connector **B**. Connector **B** will plug into the disconnect on the lamp socket extension **L**. See page 4 (**Stepside**) for connector indexing.



L



M

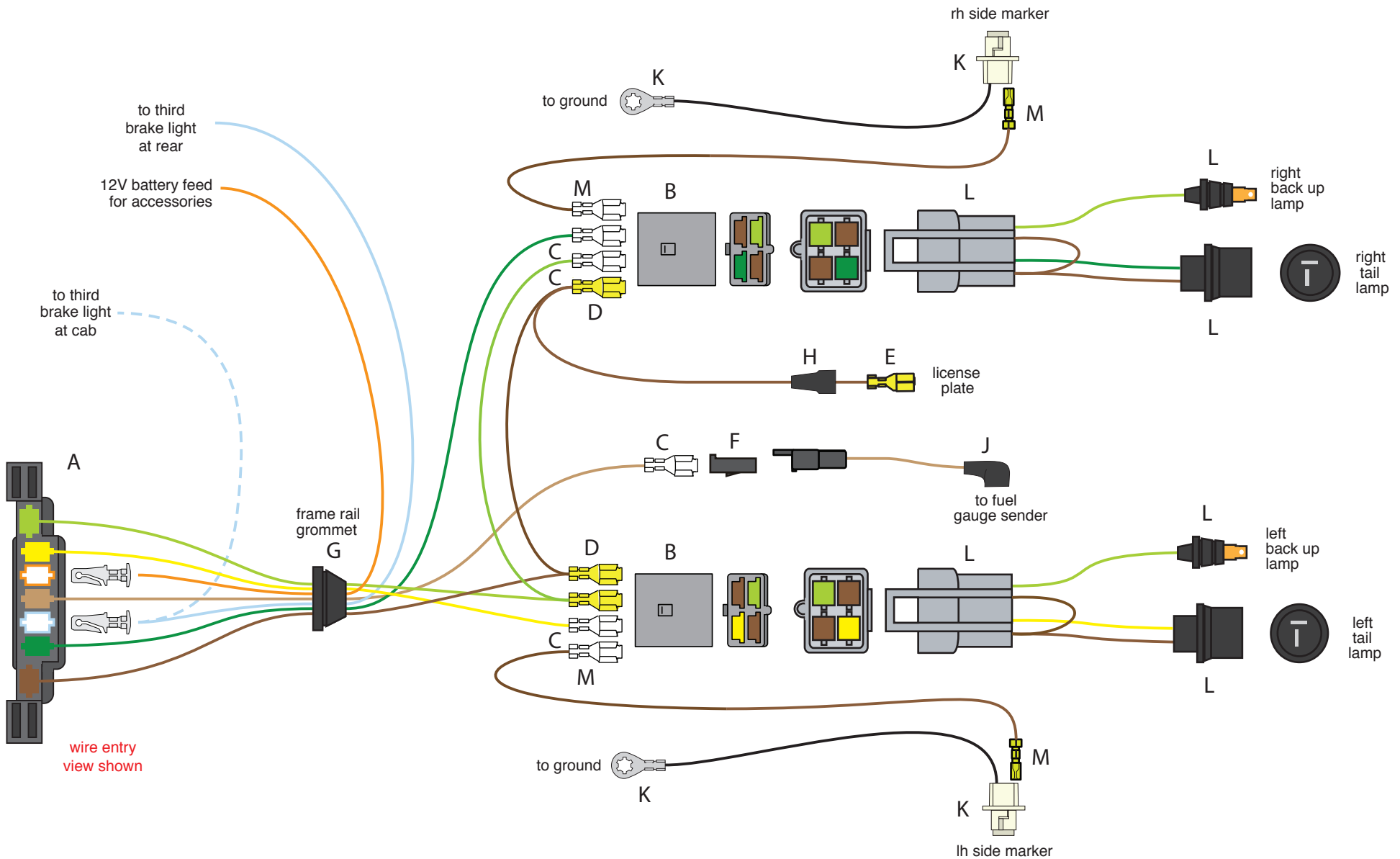


M



**American
Autowire**





**USE THIS SHEET FOR
ALL STEPSIDE MODELS**



www.americanautowire.com 856-933-0801

Classic Update Series

1973-82 CHEVY
AND GMC TRUCK

REAR BODY KIT

510350

92970194 Rev 1.0 2/2/2017

bag
M